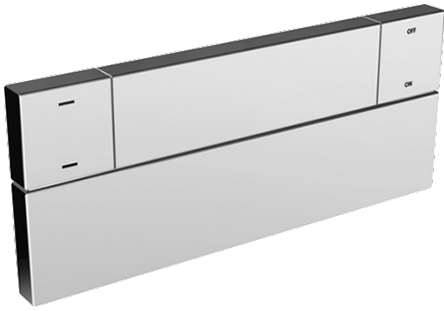
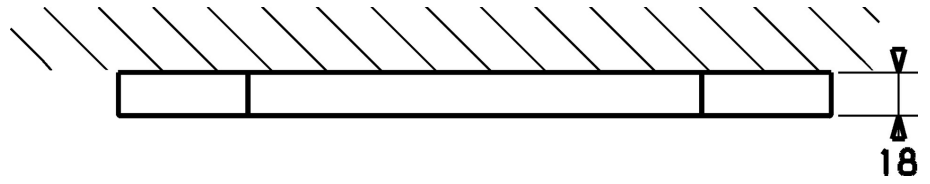
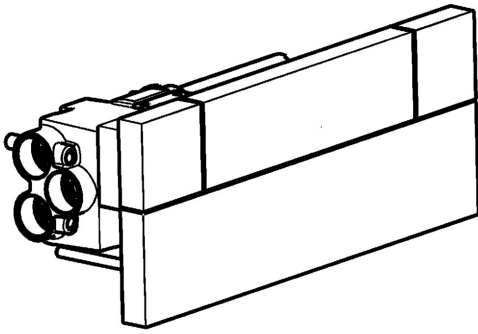


EAN: 4015474111660
static.hansa.com/07650101



- Shower solutions
- Trim Kit
- Concealed wall mounting
- Chrome
- Non-return valve(s)
- Square rosette

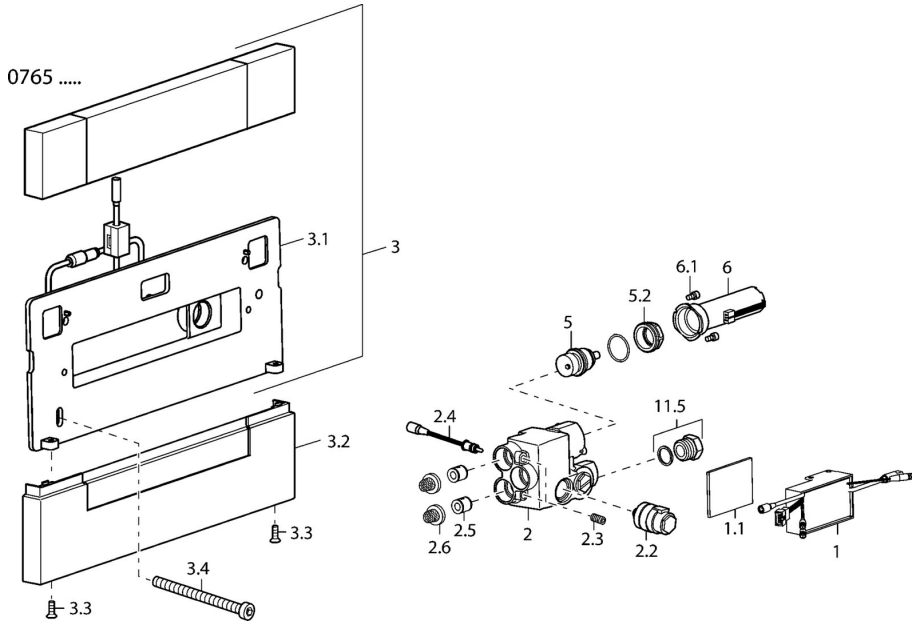


Technical data

Technical properties

Hot water supply	max. +80°C
Working pressure	0.5-10 bar
Backflow prevention (EN1717)	EB

Spare parts



SP07650101

	Name	Code
1	Side shower Discontinued	59912966
2	Shut-off valve Discontinued	59912967
2.2	Solenoid valve, SW17	59912947
2.3	Screw, M8x25 SW 4 Discontinued	59912958
2.4	Temperature sensor Discontinued	59913037
2.5	Non-return valve	59905714
2.6	Strainer, d 18/0.32 Discontinued	59913041
3.2	Cover Discontinued	59912965
3.3	Screw, M4x16, SW2.5 Discontinued	59912960
3.4	Screw Discontinued	59912959
4	Temperature regulator	59913040
5.2	Eye screw, M3x1, SW27 Discontinued	59913039
6	Control unit Discontinued	59912948
6.1	Screw Discontinued	59912949
N.I.	Control unit Discontinued	59913386