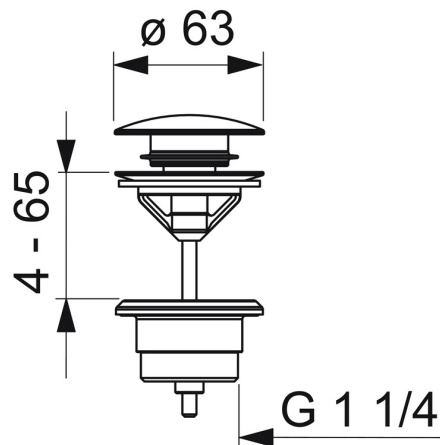
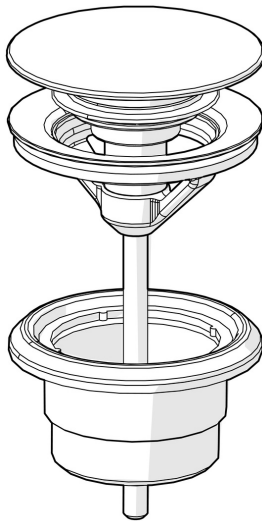


EAN: 4057304020483
static.hansa.com/0764010081



Hansa Rapid pop-up waste for washbasins.

- Washbasin
- Accessories
- Brushed bronze
- Push pop-up waste without draw-rod



Technical data

Technical properties

Connection size	G1 1/4
Material	Brass

EAN: 4057304020438
static.hansa.com/5437220781

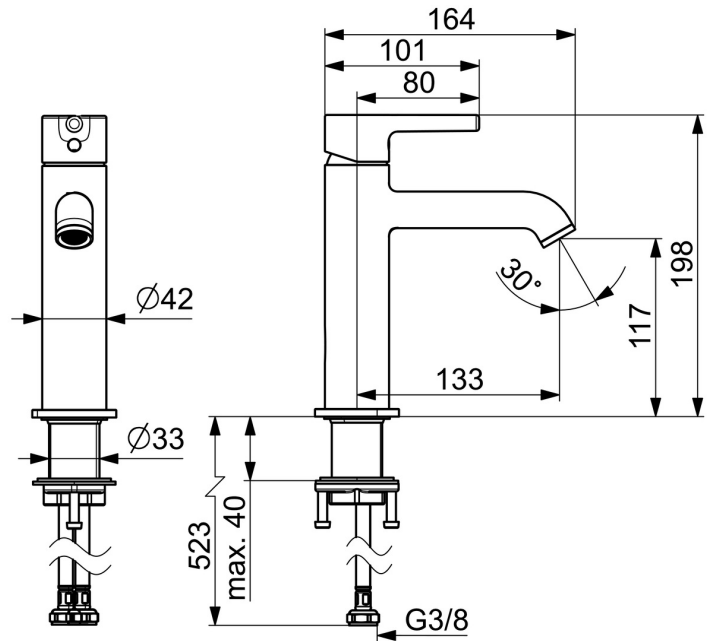
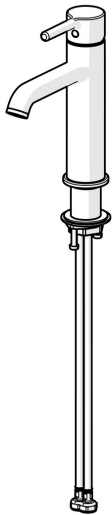


When great design becomes an attraction of its own, you know it will make a difference in your life. Besides bringing beauty to life, this new classic is also designed to bring any modern bathroom to the next level. Slender design and graceful shapes make this faucet the highlight of any space.

High quality
 Sleek design
 Anti-limescale rubber aerator for easy cleaning
 Made in Europe

Perfect fit for any bathroom

- Washbasin
- Single-lever
- Deck mounted
- Brushed bronze
- Fixed spout
- Standard aerator, PCA® - constant flow rate regardless of pressure variations
- Single operating lever/handle, Pin shape, Hot/Cold symbols
- Limitation option for maximum temperature and flow-rate
- ø 30 mm ceramic cartridge for flow and temperature control
- Flexible inlet pipes
- Inner body made of DZR brass
- Without pop-up waste



Technical data

Flow properties

Flow-rate at 3 bar (with flow controller) **6.0 l/min**

Technical properties

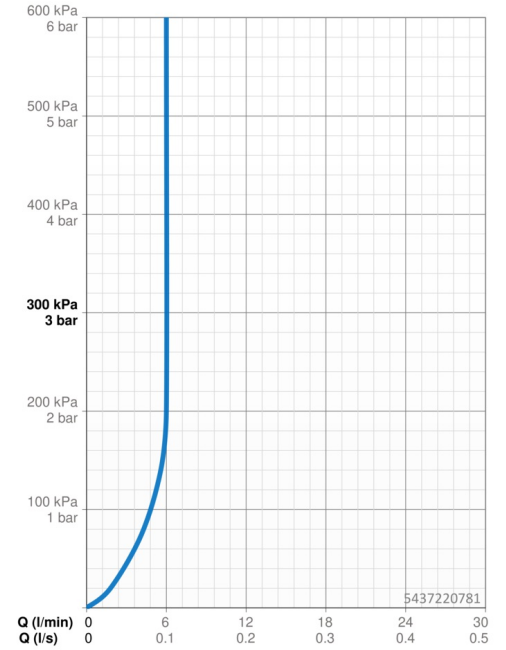
Hot water supply **max. +70°C**
 Working pressure **0.5-10 bar**
 Connection size **G3/8**
 Projection **133 mm**
 Backflow prevention (EN1717) **AA**
 Material **Brass**

Regulations

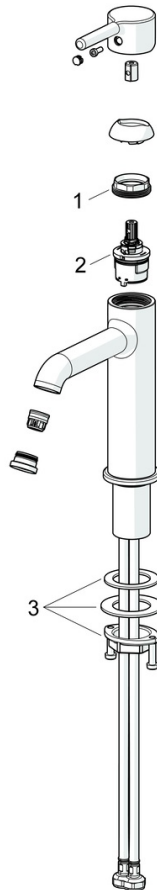
EN standard **EN 817**
 Noise class **I (ISO 3822)**

Approvals and Declarations

Declaration of conformity **DoC**
 EPD **S-P-06391**



Spare parts



SP54372207CLR

	Name	Code
01	Tightening nut, M34x1.5	1012133V
02	Cartridge, 3.0	1014428V
03	Fixing set	59913479

EAN: 4057304020445
static.hansa.com/5447220781

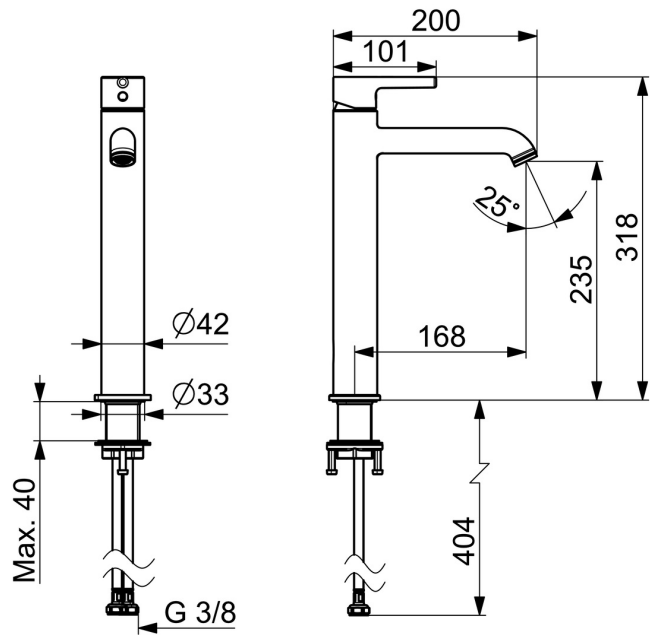
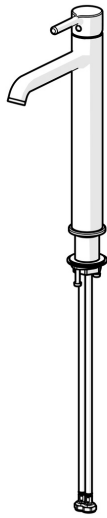


When great design becomes an attraction of its own, you know it will make a difference in your life. Besides bringing beauty to life, this new classic is also designed to bring any modern bathroom to the next level. Slender design and graceful shapes make this faucet the highlight of any space.

High quality
 Sleek design
 Anti-limescale rubber aerator for easy cleaning
 Designed to compliment any bowl sink
 Made in Europe

Perfect fit for any bathroom

- Washbasin
- Single-lever
- Deck mounted
- Brushed bronze
- Fixed spout
- Standard aerator, PCA® - constant flow rate regardless of pressure variations
- Single operating lever/handle, Pin shape, Hot/Cold symbols
- Limitation option for maximum temperature and flow-rate, Adjustable hot water stop (included, retrofittable)
- ϕ 30 mm ceramic cartridge for flow and temperature control
- Flexible inlet pipes
- Inner body made of DZR brass
- Without pop-up waste



Technical data

Flow properties

Flow-rate at 3 bar (with flow controller) **6.0 l/min**

Technical properties

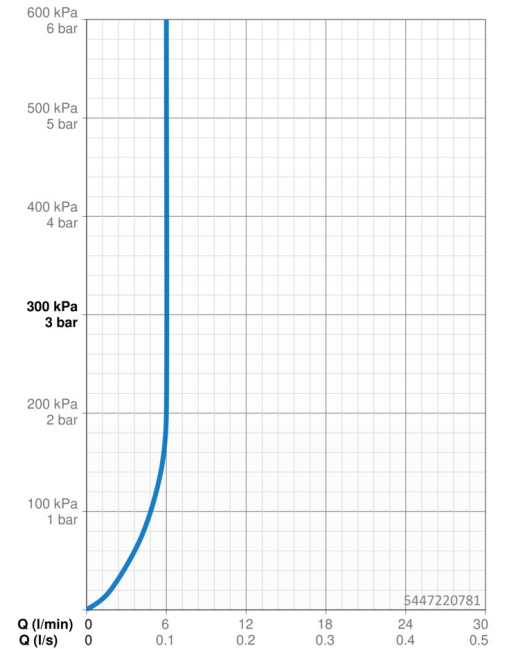
Hot water supply **max. +70°C**
 Working pressure **0.5-10 bar**
 Connection size **G3/8**
 Projection **168 mm**
 Backflow prevention (EN1717) **AA**
 Material **Brass**

Regulations

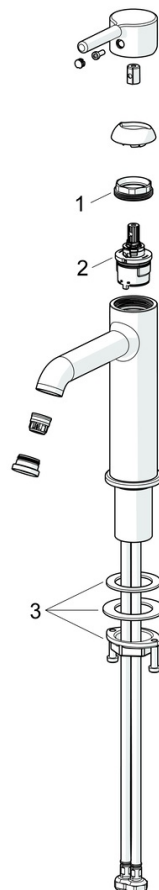
EN standard **EN 817**
 Noise class **I (ISO 3822)**

Approvals and Declarations

Declaration of conformity **DoC**



Spare parts



SP54372207CLR

	Name	Code
01	Tightening nut, M34x1.5	1012133V
02	Cartridge, 3.0	1014428V
03	Fixing set	59913479

EAN: 4057304020469
static.hansa.com/5480210781

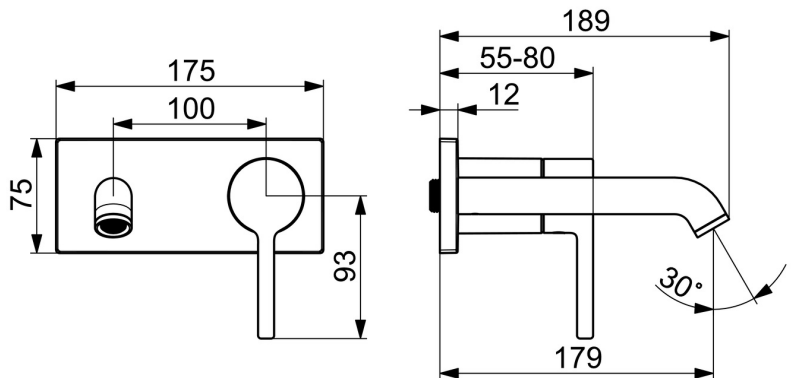
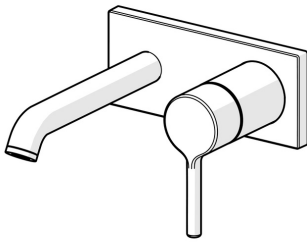


The HANSAVANTIS is the perfect fit for any bathroom, with a proven expert quality you can rely on, no matter your specific needs. Durable and long-lasting in both design and service life, this faucet brings you joy and confidence for years to come. Functional considerations and a dedicated level of detail offer a new user experience.

Elegant and clean designed
 High quality
 Sleek design
 Made in Europe

Washbasin faucet with maximum comfort

- Washbasin
- Trim Kit, Single-lever
- Concealed wall mounting
- Brushed bronze
- Fixed spout
- PCA® - constant flow rate regardless of pressure variations
- Single operating lever/handle, Pin shape, Hot/Cold symbols
- Limitation option for maximum temperature and flow-rate, Adjustable hot water stop (included, retrofittable)
- Inner body made of DZR brass
- Rosette plate frame, Square rosette



Technical data

Flow properties

Flow-rate at 3 bar	6.0 l/min
Flow-rate at 3 bar (with flow controller)	6.0 l/min

Technical properties

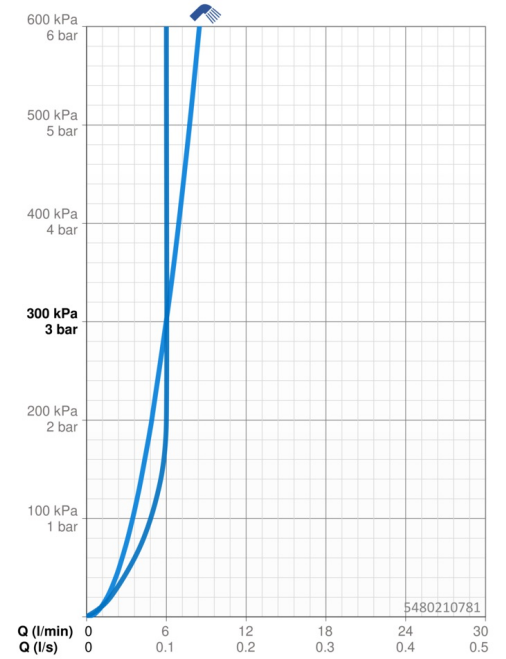
Hot water supply	max. +80°C
Working pressure	0.5-10 bar
Connection size	G1/2
Projection	179 mm
Backflow prevention (EN1717)	AA
Material	Brass

Regulations

EN standard	EN 817
-------------	---------------

Approvals and Declarations

Declaration of conformity	DoC
EPD	S-P-06391



EAN: 4057304020551
static.hansa.com/6515920181



Designed to impress and give an elegant solution for any bathroom.

This rainshower system gives you a most comfortable and enjoyable shower experience every day. With focus on high performance while still have and eye on the aesthetics and details to secure an easy installation.

The handles are designed to be elegant while still providing a good grip for easy.

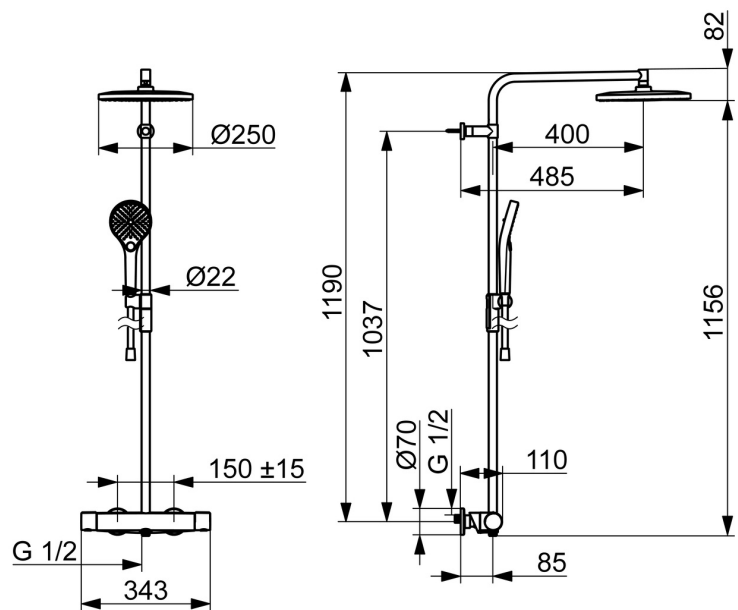
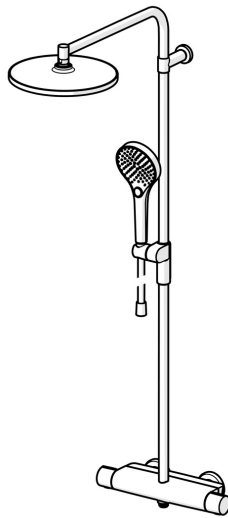
Our new developed magnetic shelf "MagShelf" completes the design while covering the connection to the wall.

The large and flat head shower has a gentle spray that covers the whole body. Enjoy the even and strong water stream for the ultimate relaxation.

Our 3-spray handshower is easy to operate with a nice designed push button to easily change the water sprays.

Elegant design and total enjoyment

- Shower solutions
- Thermostatic
- Wall mounted
- Brushed bronze
- Temperature control handle, Flow control handle, Hot/Cold symbols, Easy-Grip surface, Eco feature for water flow
- Turn operated diverter, Integrated into flow control handle
- Rotatable ball joint connection, Hand shower, Lockable in the middle position, MagShelf. Removable shelf with magnetic attachment, Adjustable shower rail bracket, Swivel overhead shower, Shower hose (1750 mm), Shower rail, Anti limescale technology (easy to clean), Twist guard for shower hose, Variable fixing points
- Normal - Even and soft water stream, Massage - Strong water stream due to rotatable spray nozzles, Rain - Even and strong water stream
- Safety stop against scalding at 38°C, The housing of the fittings conducts minimal heat
- Ceramic head part for flow control, Thermostatic cartridge for automatic temperature control, Non-return valve(s), Litter filter(s)
- Eccentric coupling(s), Cover plate(s), Silencer(s)
- Flexible length / can be shortened, Anti-twist hose connector
- 3 spray functions



Technical data

Flow properties

Eco-flow at 3 bar	7.2 l/min
Flow-rate at 3 bar	12.0/12.0 l/min
Pressure loss with flow (0.2 l/s)	2.5 bar

Technical properties

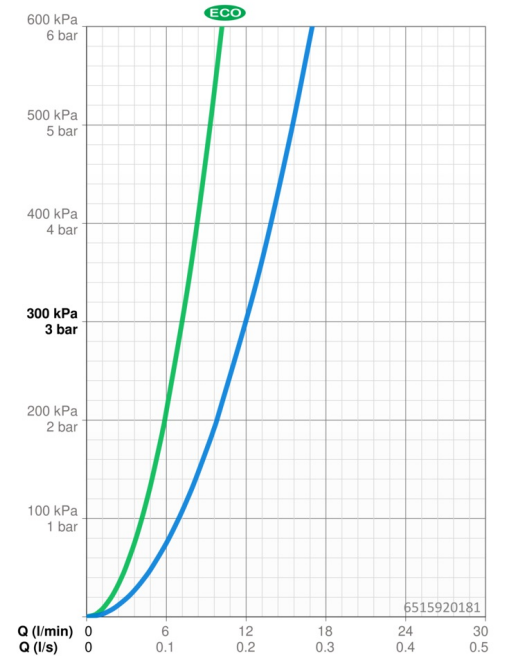
Hot water supply	max. +80°C
Working pressure	1-10 bar
Connection size	G3/4
Installation width	150 ± 15 mm
Backflow prevention (EN1717)	EB
Material	Brass/Plastic

Regulations

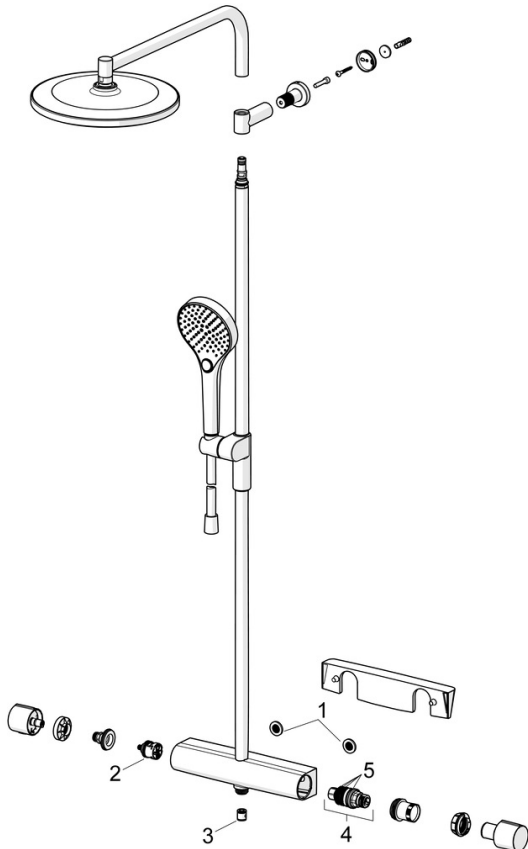
EN standard	EN1111
Noise class	I (ISO 3822)

Approvals and Declarations

Declaration of conformity	DoC
EPD	S-P-07819



Spare parts



SP65159201CLR

	Name	Code
01	Filter sealing, G3/4	59911076
02	Diverter	59914183
03	Non-return valve, DN15	59914250
04	Thermostatic cartridge, 3.4	59914114
05	O-ring kit	59914113