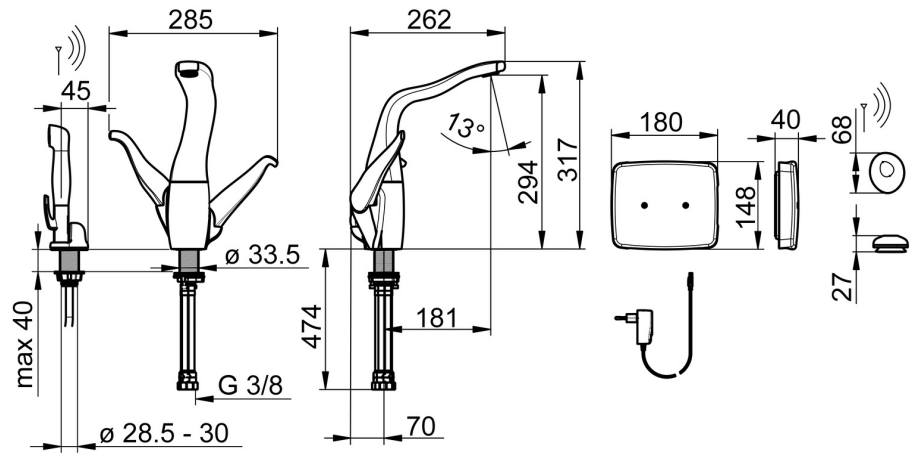
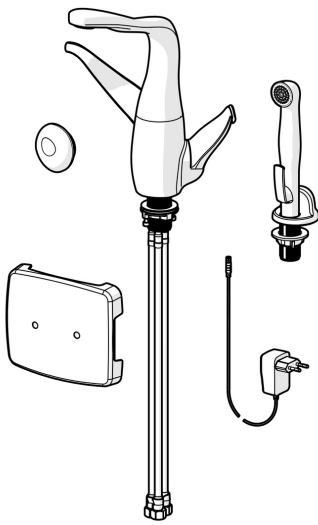


EAN: 4057304005558  
[static.hansa.com/07462283](http://static.hansa.com/07462283)



- Kitchen
- Hybrid, Bidetta, Plug transformer, Dishwasher valve
- Deck mounted
- Chrome
- Swivel spout
- Hidden aerator
- Remote controlled stop valve for external equipment
- Two operating levers/handles, Temperature control handle, Flow control handle
- Hand shower, Shower hose (1500 mm)
- Remote-operated Smart Bidetta
- Non-return valve(s), Litter filter(s)
- Solenoid valve, External control unit, Power supply, Light indicated function(s)
- Flexible inlet pipes
- 1 spray function



## Technical data

### Flow properties

Flow-rate at 3 bar **12.0 l/min**

### Technical properties

DN-size (nominal dimension) **DN15**  
 Hot water supply **max. +70°C**  
 Working pressure **1-10 bar**  
 Connection size **G3/8**  
 Projection **181 mm**  
 Backflow prevention (EN1717) **EB**  
 Material **Brass**

### Software settings

Max. flow period **60 s (4-120 s)**

### Electronic properties

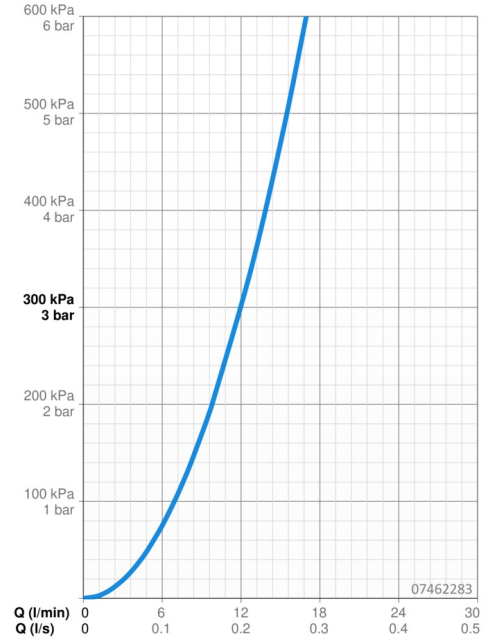
Electrical Connection **230 / 12 V**  
 Battery **CR 2450 3 V**

### Regulations

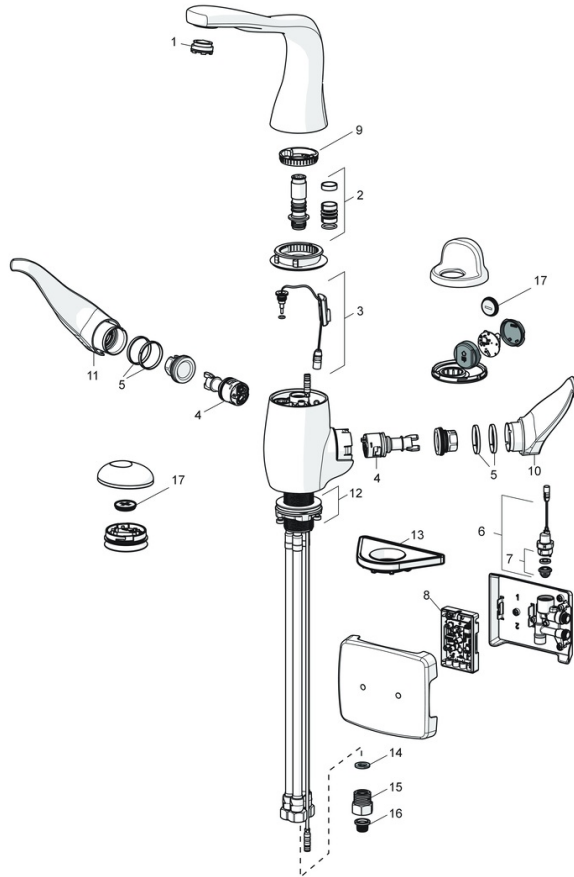
EU Directives **C E Low Voltage Directive 2014/35/EU , EMC Directive 2014/30/EU , RoHS Directive 2011/65/EU**  
 EN standard **EN 1111, EN 1113, EN 200 , EN 15091, ETSI EN 301 489-1 V1.9.2 , ETSI EN 300 328 v2.2.2 , EN 61000-6-1:2007 , EN 61000-6-3:2007+A1:2011+AC:2012 , EN 60335-1:2012+A11+A13+A14+A14+A2+A15:2021, Part 19.11.4**  
 Protection class **IP 55**

### Approvals and Declarations

UN38.3 **UN38-3 Panasonic CR2450**  
 Declaration of conformity **LVD**



## Spare parts



### SP07452203

	Name	Code
01	Aerator and key, M24x1 STD CC S	59914143
02	Sealing kit for spout	59914266
03	Temperature sensor Discontinued	59914502
04	Cartridge	59914503
05	Bearing ring Discontinued	59914504
06	Pilot valve, 3 V	59914338
07	Membrane for solenoid valve	1006500V
07	Membrane Discontinued	59914126
08	Control unit Discontinued	59914505
09	Limiter Discontinued	59914506
10	Temperature control handle Discontinued	59914507
11	Flow control handle Discontinued	59914508
12	Fixing set Discontinued	59914509
13	Supporting plate	59910008
14	Gasket, 8x14.3x2	59914087
15	One-way valve with litter screen	59914086
16	Litter filters	59914085
17	Battery, CR2450 3 V Lithium	59914137