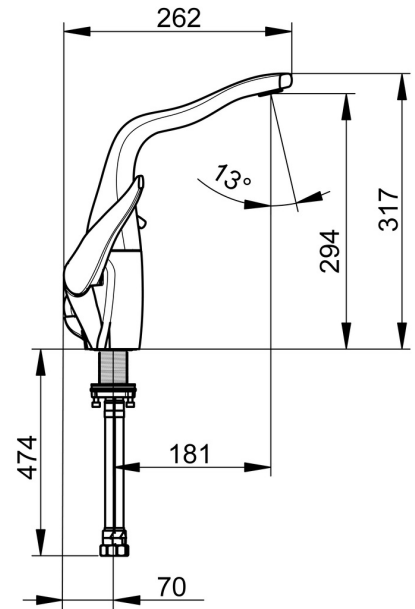
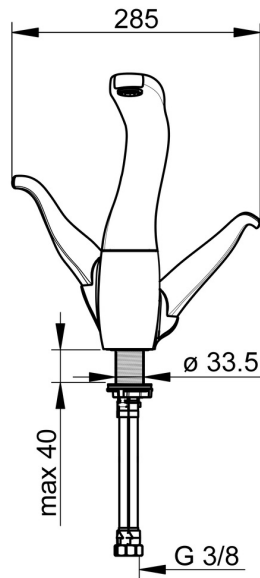
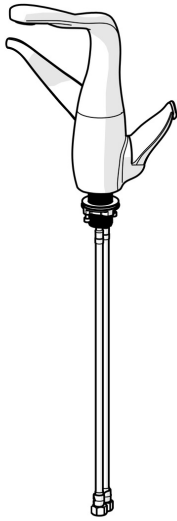


EAN: 4057304005534
static.hansa.com/07442203



- Kitchen
- Two-grip
- Deck mounted
- Chrome
- Swivel spout
- Hidden aerator, Standard aerator
- Two operating levers/handles, Temperature control handle, Flow control handle
- Litter filter(s)
- Flexible inlet pipes



Technical data

Flow properties

Flow-rate at 3 bar **12.0 l/min**

Technical properties

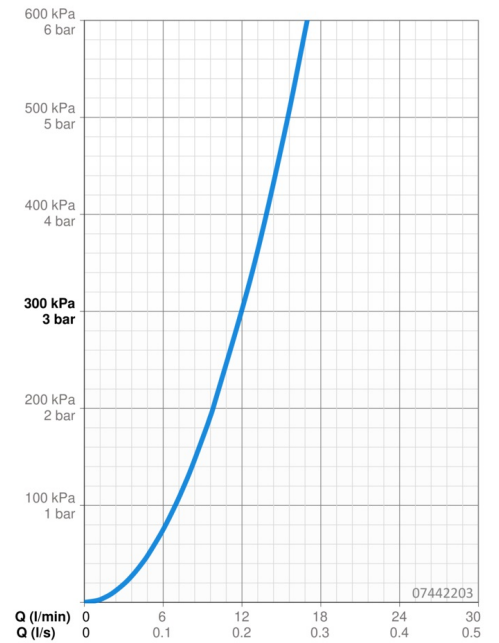
DN-size (nominal dimension) **DN15**
 Hot water supply **max. +70°C**
 Working pressure **1-10 bar**
 Connection size **G3/8**
 Projection **181 mm**
 Backflow prevention (EN1717) **AA**
 Material **Brass**

Regulations

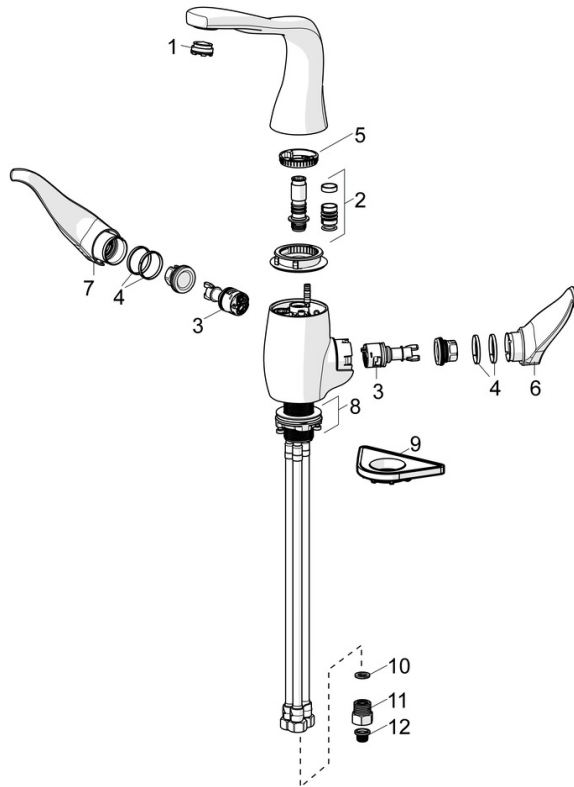
EN standard **EN 817**

Approvals and Declarations

Declaration of conformity **DoC**



Spare parts



SP07442203

	Name	Code
01	Aerator and key, M24x1 STD CC S	59914143
02	Sealing kit for spout	59914266
03	Cartridge	59914503
04	Bearing ring Discontinued	59914504
05	Limiter Discontinued	59914506
06	Temperature control handle Discontinued	59914507
07	Flow control handle Discontinued	59914508
08	Fixing set Discontinued	59914509
09	Supporting plate	59910008
10	Gasket, 8x14.3x2	59914087
11	One-way valve with litter screen	59914086
12	Litter filters	59914085