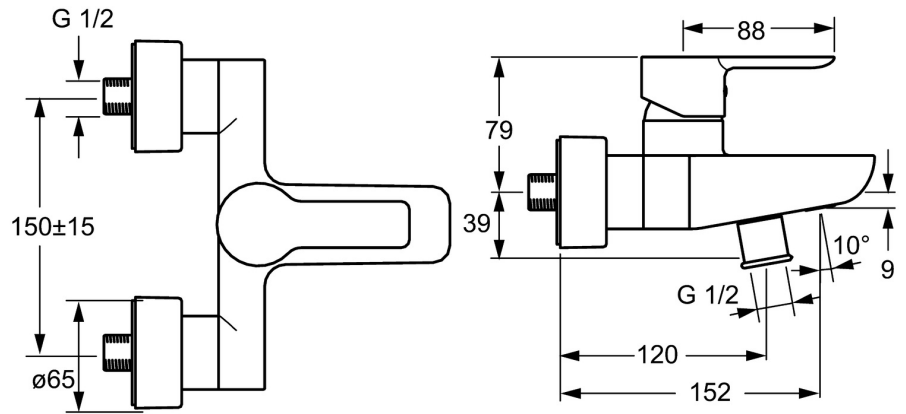
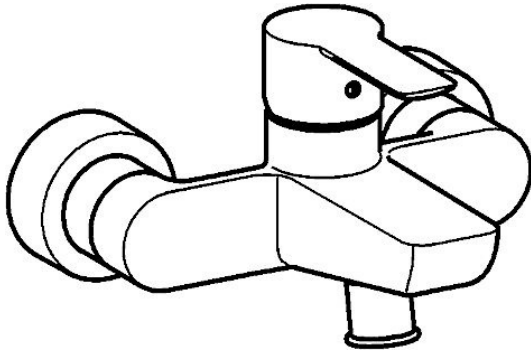


EAN: 4015474248601
static.hansa.com/06742103



- Bathtub & Shower
- Single-lever
- Wall mounted
- Chrome
- Fixed spout
- Hidden aerator, Standard aerator
- Hot/Cold symbols, Single operating lever/handle
- Pull operated diverter, Automatic reset
- Adjustable hot water stop (included, retrofittable), Limitation option for maximum temperature and flow-rate
- Non-return valve(s), \varnothing 35 mm ceramic cartridge for flow and temperature control
- Eccentric coupling(s), Cover plate(s), Silencer(s)
- Inner body made of DZR brass
- protected against back-flow in domestic use (according to DIN EN 1717)



Technical data

Flow properties

Flow-rate at 3 bar **20.4 / 13.2 l/min**

Technical properties

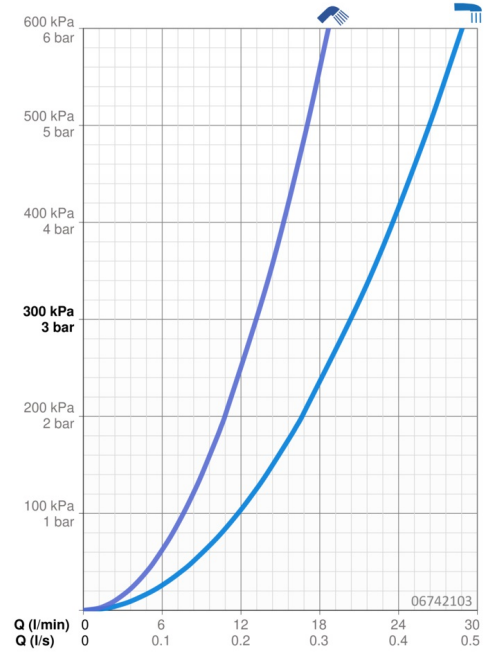
DN-size (nominal dimension) **DN15**
 Hot water supply **max. +80°C**
 Working pressure **1-10 bar**
 Connection size **G1/2**
 Installation width **150 ± 15 mm**
 Projection **152 mm**
 Backflow prevention (EN1717) **EB**
 Material **Brass**

Regulations

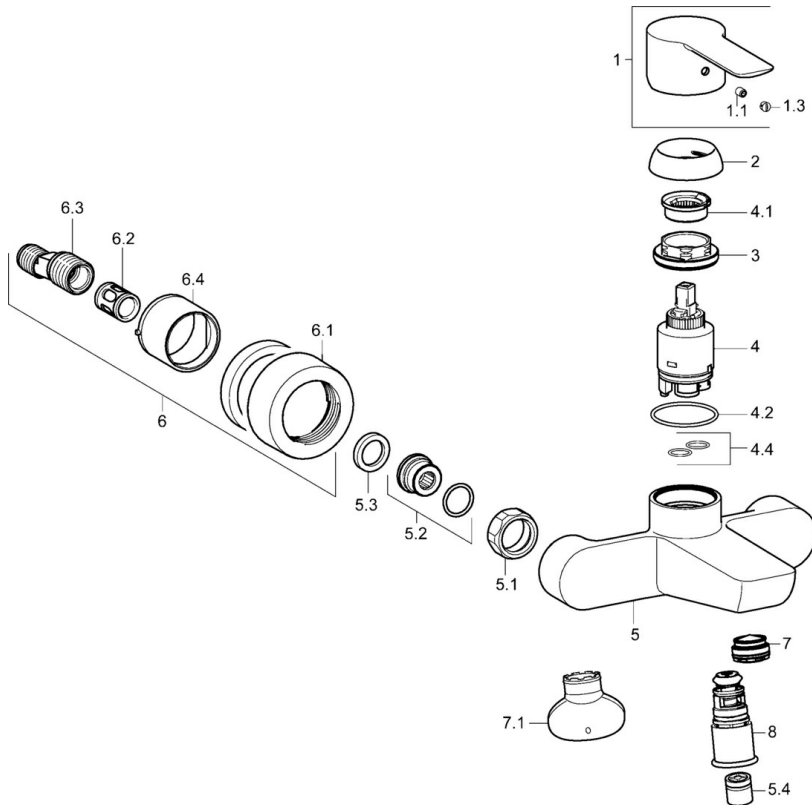
EN standard **EN 817**
 Noise class **I (ISO 3822)**

Approvals and Declarations

DVGW **NW-6506CN0315**
 ABP **PA-IX 29273/IB**
 Declaration of conformity **DoC**



Spare parts



SP06742103

| | Name | Code |
|------|--------------------------------------|----------|
| 1 | Lever | 59913650 |
| 1.1 | Screw, M5x8, SW2.5 | 59904755 |
| 1.3 | Symbol plug Grey | 59912112 |
| 2 | Covering cap, 33x3 mm | 59912504 |
| 3 | Tightening nut, M40x1 | 1003409V |
| 4 | Cartridge, 3.5 Eco | 59912324 |
| 4 | Cartridge, 3.5 Classic | 59913075 |
| 4.1 | Temperature adjustment limiter | 59912325 |
| 4.2 | O-ring, d 28.24x2.62 Discontinued | 59912590 |
| 4.4 | O-ring, d 10.10x1.60 Discontinued | 59905072 |
| 5.1 | Connection nut, G3/4, AF30 | 59902230 |
| 5.2 | Connector | 59913400 |
| 5.3 | Retaining ring, 23.9x15.2x2 | 59902689 |
| 5.4 | Non-return valve | 59905714 |
| 6.1 | Cover flange | 59913105 |
| 6.2 | Silencer | 59904792 |
| 6.3 | Eccentric connector, G3/4xG1/2, DN15 | 59910254 |
| 6.4 | Cover sleeve | 59913106 |
| 7 | Aerator, M24x1 C | 59913131 |
| 7.1 | Key for aerator, M24x1 | 59913134 |
| 8 | Diverter | 59913101 |
| N.I. | Key, SW30/34 | 59912108 |