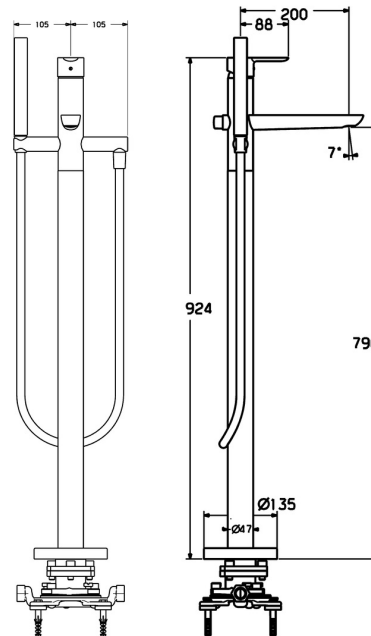


EAN: 4015474250239  
[static.hansa.com/06462083](https://static.hansa.com/06462083)



- Bathtub & Shower
- Single-lever
- Floor standing
- Chrome
- Fixed spout
- Standard aerator, Hidden aerator
- Single operating lever/handle, Hot/Cold symbols
- Pull operated diverter, Automatic reset
- Hand shower, Shower holder, Shower hose (1250 mm)
- Intense - invigorating water stream
- Limitation option for maximum temperature and flow-rate, Adjustable hot water stop (included, retrofittable)
- Non-return valve(s),  $\varnothing$  35 mm ceramic cartridge for flow and temperature control
- Inner body made of DZR brass
- protected against back-flow in domestic use (according to DIN EN 1717)
- 1 spray function



## Technical data

### Flow properties

Flow-rate at 3 bar **20.4 / 13.2 l/min**

### Technical properties

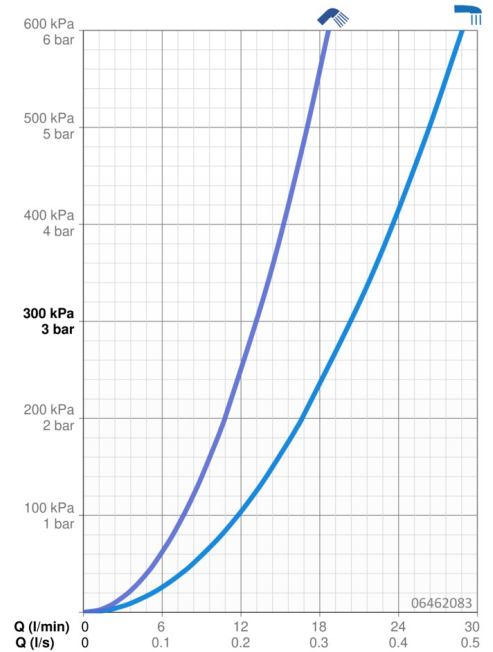
DN-size (nominal dimension) **DN15**  
 Hot water supply **max. +65°C**  
 Working pressure **1-10 bar**  
 Projection **200 mm**  
 Backflow prevention (EN1717) **EB**

### Regulations

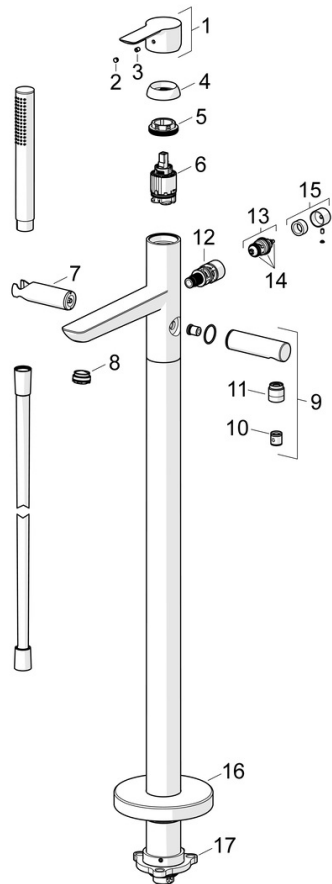
EN standard **EN 817, EN 1112, EN 1113**

### Approvals and Declarations

Declaration of conformity **DoC**



## Spare parts



### SP06462083

	Name	Code
01	Lever	59913650
02	Symbol plug Grey	59912112
03	Screw, M5x8, SW2.5	59904755
04	Covering cap, 33x3 mm	59912504
05	Tightening nut, M40x1	1003409V
06	Cartridge, 3.5 Classic	59913075
07	Hand shower holder Discontinued	59913718
08	Aerator, M24x1 D, CC	59913720
09	Shower pipe	59913722
10	Non-return valve	59905714
11	Thread nipple, G1/2xM18x1	59911384
12	Diverter	59913721
13	Diverter	59912870
14	Sealing kit	59904791
15	Knob	59912871
16	Cover flange, d 135 mm Discontinued	59913726
17	Fixing set Discontinued	59913723