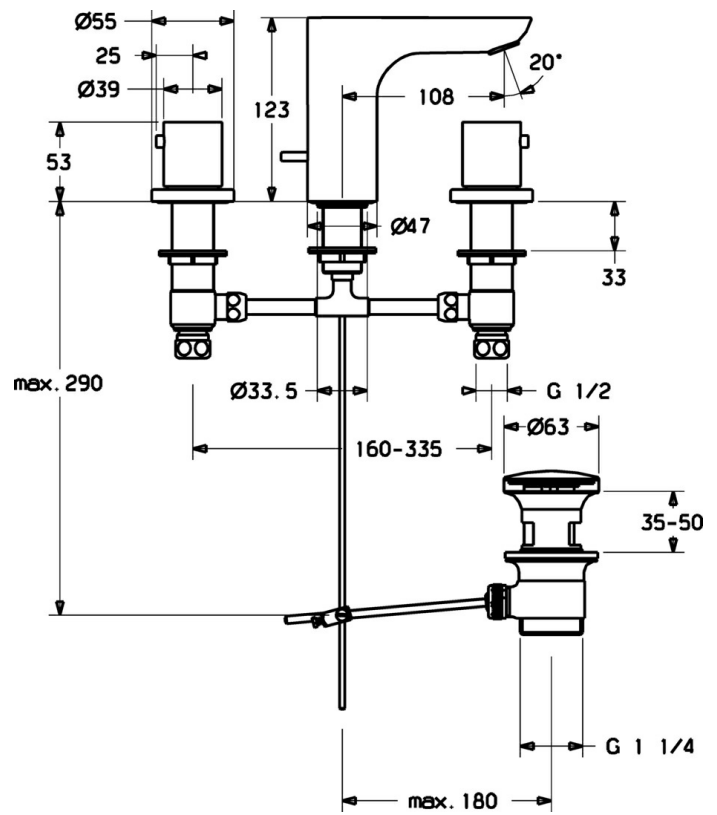
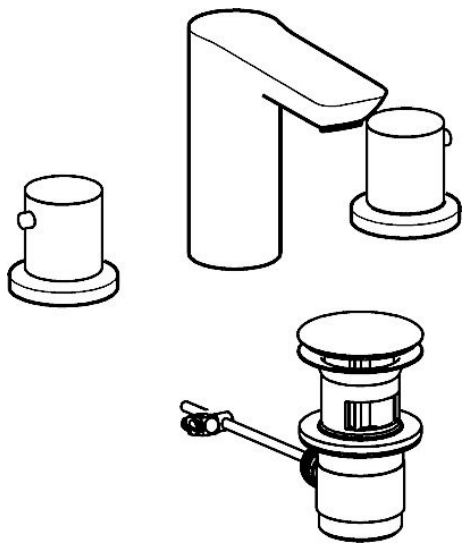


EAN: 4015474250192
static.hansa.com/06452103



- Washbasin
- Two-grip
- Deck mounted
- Chrome
- Fixed spout
- PCA® - constant flow rate regardless of pressure variations, Hidden aerator
- Two operating levers/handles
- Pop-up waste with draw-rod
- Ceramic head part for flow control
- Inner body made of DZR brass



Technical data

Flow properties

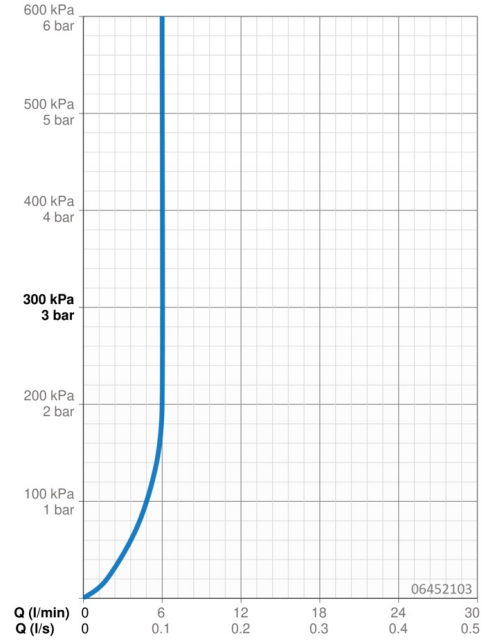
Flow-rate at 3 bar (with flow controller) **6.0 l/min**

Technical properties

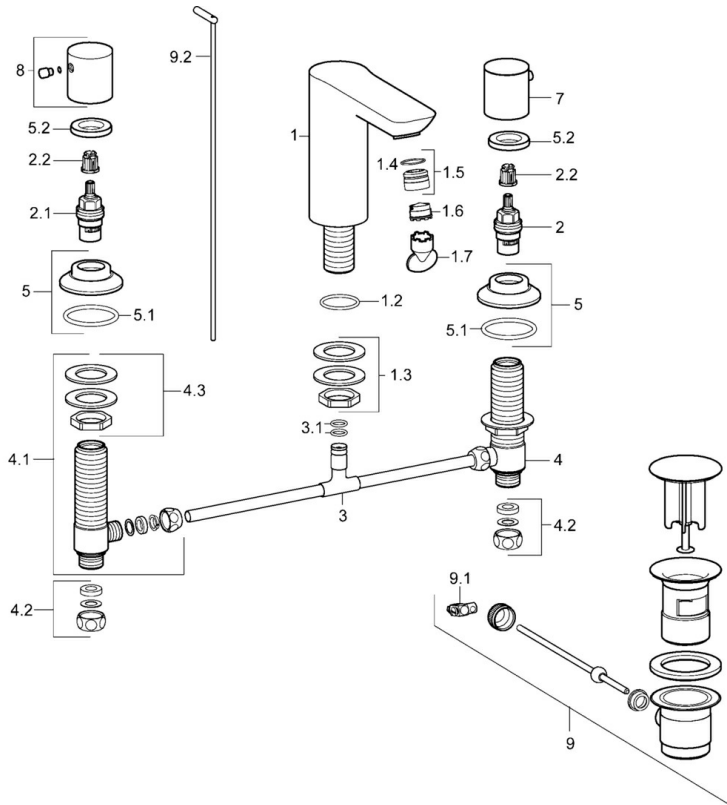
DN-size (nominal dimension) **DN15**
 Hot water supply **max. +80°C**
 Working pressure **0.5-10 bar**
 Projection **108 mm**
 Material **Brass**

Regulations

EN standard **EN 200**



Spare parts



SP06452103

	Name	Code
1	Spout Discontinued	59913732
1.2	O-ring, d 36.09x d 3.53	59913396
1.3	Fixing nut kit	59910705
1.5	Fitting ring for aerator	59913654
1.6	Aerator, M18.5x1, TJ	59913366
1.7	Key for aerator, M18.5	59913367
2	Headpart, G1/2	59913457
2.1	Headpart, G1/2, SW17	59913224
2.2	Adapter White	59910235
3	T-connector	59910687
3.1	O-ring, d 11x2 Discontinued	59910686
4	Valve, G1/2xG1/2 Discontinued	59913453
4.1	Valve, G1/2xG1/2 Discontinued	59913455
4.2	Sealing kit Discontinued	59910707
4.3	Screw sleeve Discontinued	59913454
5	Cover flange, d 55 mm Discontinued	59913731
5.2	Tightening nut, d35.5xM24x1	59912023
7	Handle, COLD	59913337
8	Handle, HOT	59913336
9	Pop-up waste	59911441
9.1	Swivel joint	59904624
9.2	Pop-up operating rod	59913459