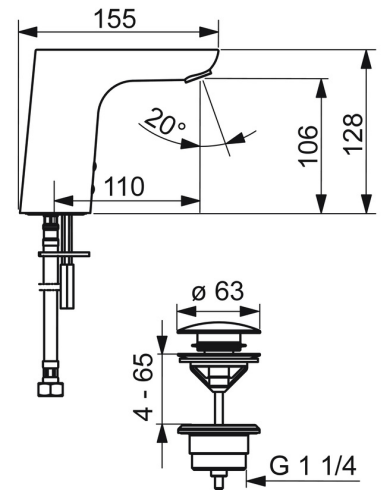
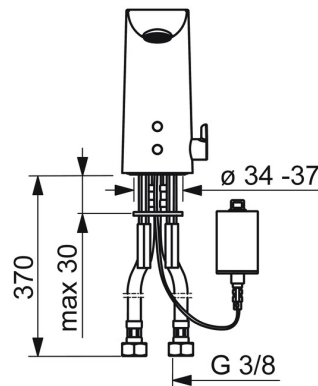
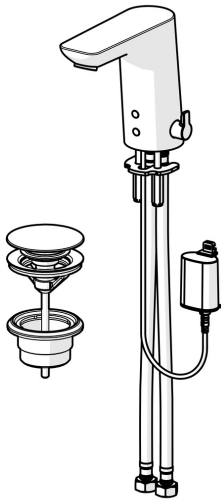


EAN: 4057304014093  
[static.hansa.com/06152219](http://static.hansa.com/06152219)



- Washbasin
- Public & Semi-public
- Touchless, Bluetooth®, Battery-operated
- Deck mounted
- Chrome
- Fixed spout, Casted construction
- Hidden aerator, Aerated stream, PCA® - constant flow rate regardless of pressure variations
- Temperature control handle
- Push pop-up waste without draw-rod
- Adjustable hot water stop (included, retrofittable)
- Litter filter(s), Mixing valve for manual temperature control, Non-return valve(s)
- Autofocus infrared sensor, Solenoid valve, Low battery indicator
- Flexible inlet pipes
- Inner body made of DZR brass, Software settings adjustable via App



## Technical data

### Flow properties

Flow-rate at 3 bar (with flow controller) **5.4 l/min**

### Technical properties

DN-size (nominal dimension) **DN15**  
 Hot water supply **max. +70°C**  
 Working pressure **0.5-10 bar**  
 Connection size **G3/8**  
 Projection **110 mm**  
 Backflow prevention (EN1717) **AA**  
 Material **Brass**

### Software settings

Afterflow period **3 s (1-20 s)**  
 Automatic flush **off (off/1-120 h)**  
 Automatic flush period **30 s (1-1800 s)**  
 Max. flow period **2 min (1 - 1800 s)**

### Electronic properties

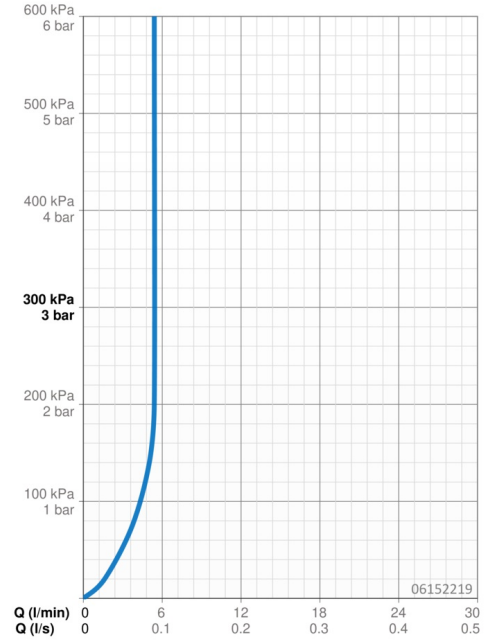
Battery **Lithium 2CR5 6 V**  
 Bluetooth version **4.x (D034445)**

### Regulations

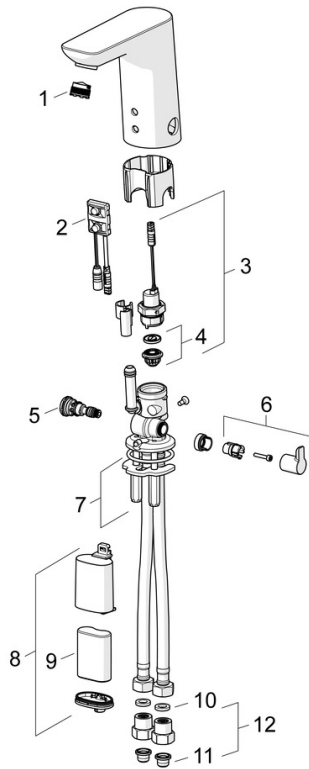
EU Directives **C € Radio Equipment Directive 2014/53/EU , Low Voltage Directive 2014/35/EU , EMC Directive 2014/30/EU , RoHS Directive 2011/65/EU**  
 EN standard **EN 15091, ETSI EN 301 489-1 V1.9.2 , ETSI EN 300 328 v2.2.2 , EN 61000-6-1:2007 , EN 61000-6-3:2007+A1:2011+AC:2012 , EN 60335-1:2012+A11+A13+A1+A14+A2+A15:2021, Part 19.11.4**  
 Protection class **IP 55**

### Approvals and Declarations

DVGW **CW-6514CR0161**  
 UN38.3 **UN38-3 Maxell 2CR5**  
 Declaration of conformity **RED**



## Spare parts



### SP06152211

	Name	Code
01	Aerator, M18.5x1, Tj	59913366
02	Sensor, 6 V Discontinued	59914093
02	Sensor, 6/9/12 V, Bluetooth	59914567
03	Solenoid valve, 6 V	59914091
04	Membrane for solenoid valve	1006500V
04	Membrane support ring Discontinued	59914090
05	Temperature regulator	59914193
06	Temperature control handle	59914108
07	Fixing plates with nuts	59914132
08	Battery casing, 2CR5 6 V	59914088
09	Battery, 2CR5 6 V	59911670
10	Gasket, 8x14.3x2	59914087
11	Litter filters	59914085
12	One-way valve with litter screen	59914086
N.I.	Limiter	59914106