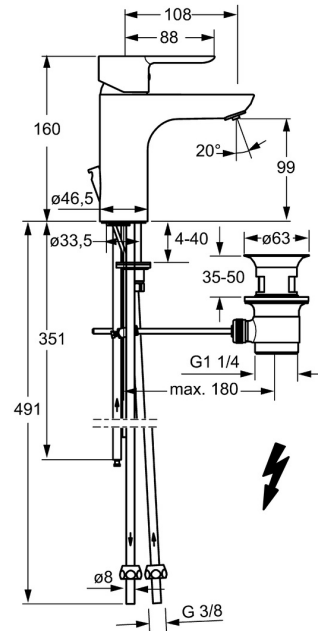
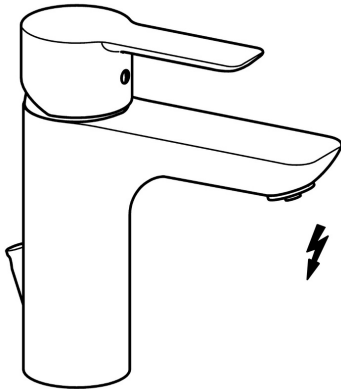


EAN: 4015474248571
static.hansa.com/06131103



- Washbasin
- Single-lever, Low pressure
- Deck mounted
- Chrome
- Fixed spout
- Laminar stream, Standard aerator
- Hot/Cold symbols, Single operating lever/handle
- Pop-up waste with draw-rod
- Limitation option for maximum temperature and flow-rate, Adjustable hot water stop (included, retrofittable)
- \varnothing 35 mm ceramic cartridge for flow and temperature control
- Copper inlet pipes
- Inner body made of DZR brass, Rapid installation system



Technical data

Technical properties

DN-size (nominal dimension)	DN15
Hot water supply	max. +80°C
Working pressure	0.5-5 bar
Connection size	\varnothing 8 mm
Projection	108 mm
Backflow prevention (EN1717)	AA
Material	Brass

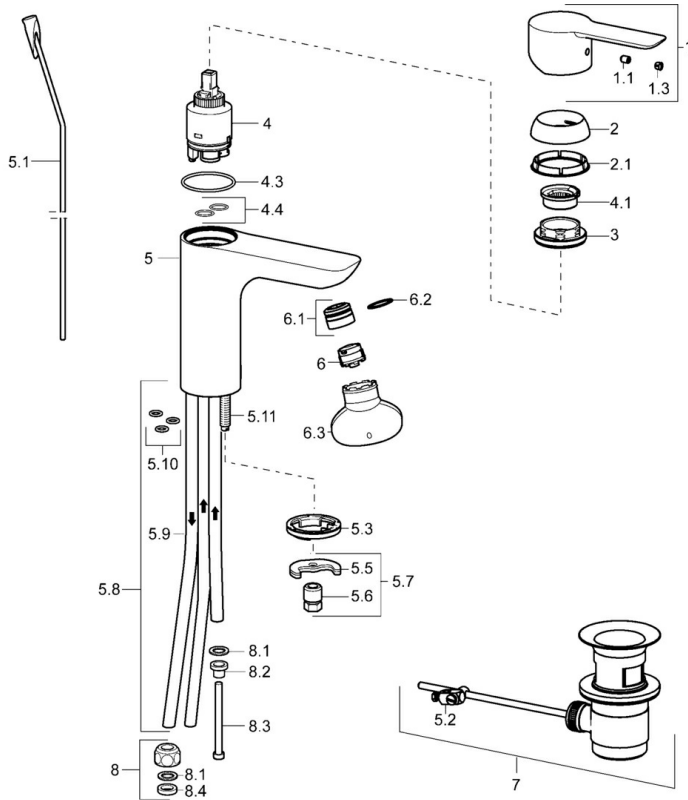
Regulations

EN standard	EN 817
Noise class	I (ISO 3822)

Approvals and Declarations

Declaration of conformity	DoC
EPD	S-P-06391

Spare parts



SP06131103

	Name	Code
1	Lever	59913650
1.1	Screw, M5x8, SW2.5	59904755
1.3	Symbol plug Grey	59912112
2	Covering cap, 33x3 mm	59912504
2.1	Gasket, 45x35.5x5.4	59913651
3	Tightening nut, M40x1	1003409V
4	Cartridge, 3.5 Eco	59912324
4	Cartridge, 3.5 Classic	59913075
4.1	Temperature adjustment limiter	59912325
4.3	O-ring, d 28.24x2.62 Discontinued	59912590
4.4	O-ring, d 10.10x1.60 Discontinued	59905072
5.1	Pop-up operating rod	59913652
5.2	Swivel joint	59904624
5.3	Bottom seal	59914591
5.5	Fixing plate	59904765
5.6	Screw, M8x1, SW13	59904766
5.7	Fixing set	59910749
5.8	Pipe Discontinued	59913398
5.9	Pipe, M8x1, L=560	59912806
5.10	O-ring, 6x1.4	59913266
5.11	Fixing screw, M8x1, L=140	59912474
6	Aerator, M18.5x1	59913489
6.1	Fitting ring for aerator	59913654
6.3	Key for aerator, M18.5	59913367
7	Pop-up waste	59904620
7	Pop-up waste	59911441
8	Fitting nut	59904969
8.1	Sealing kit, 14.9x8.5x1	59902352
8.2	Sealing kit, 10x8	59902272
8.3	Hose	59902151
8.4	Gasket, 15x8x4 Discontinued	59902270
N.I.	Key, SW30/34	59912108