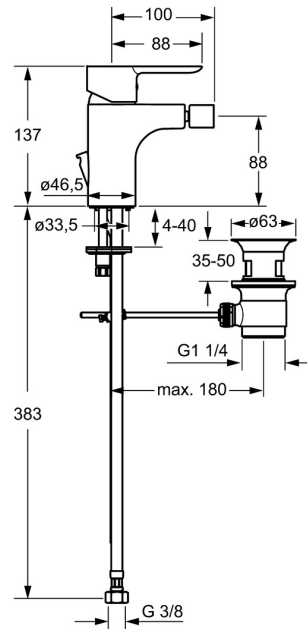
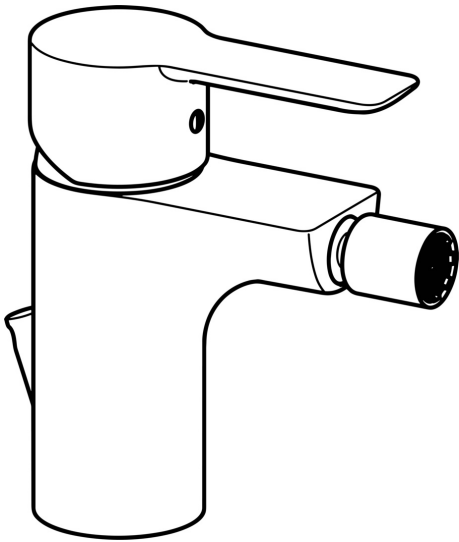


EAN: 4015474248090
static.hansa.com/06063203



- Bidet
- Single-lever
- Deck mounted
- Chrome
- Fixed spout
- PCA® - constant flow rate regardless of pressure variations, Hidden aerator, Ball joint
- Single operating lever/handle, Hot/Cold symbols
- Pop-up waste with draw-rod
- Limitation option for maximum temperature and flow-rate, Adjustable hot water stop (included, retrofittable)
- \varnothing 35 mm ceramic cartridge for flow and temperature control
- Flexible inlet pipes
- Inner body made of DZR brass, Rapid installation system



Technical data

Flow properties

Flow-rate at 3 bar (with flow controller) **6.0 l/min**

Technical properties

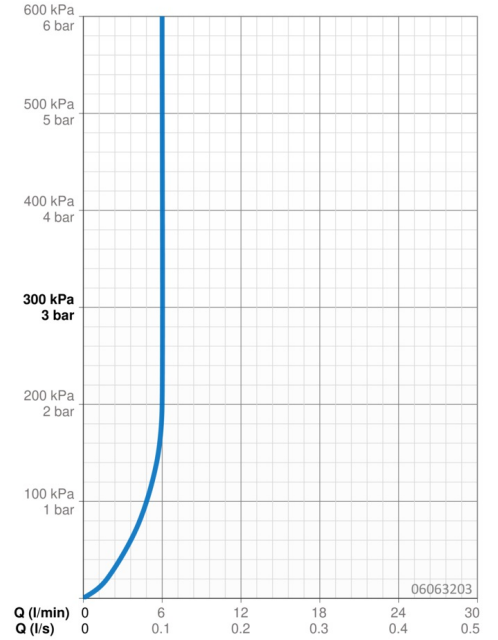
DN-size (nominal dimension) **DN15**
 Hot water supply **max. +70°C**
 Working pressure **0.5-10 bar**
 Connection size **G3/8**
 Projection **100 mm**
 Backflow prevention (EN1717) **AA**
 Material **Brass**

Regulations

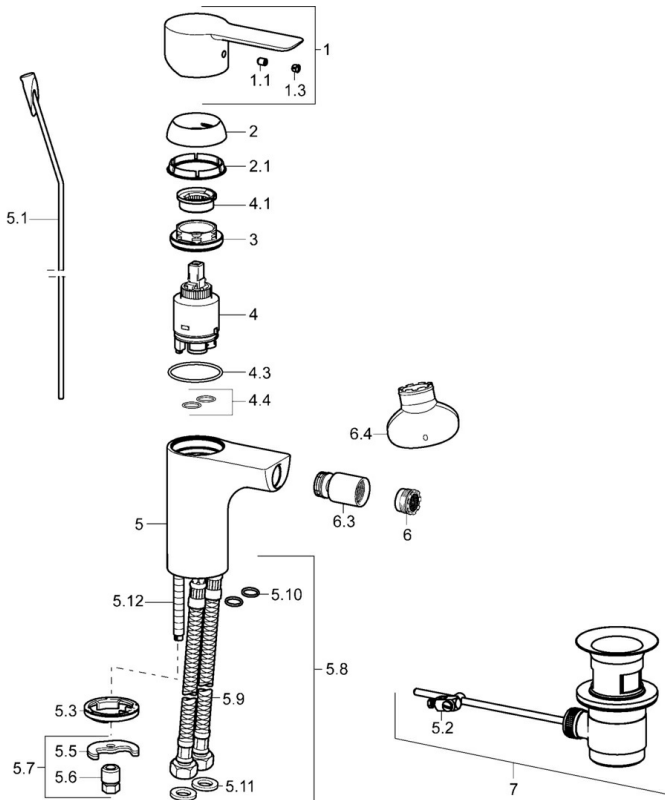
EN standard **EN 817**
 Noise class **I (ISO 3822)**

Approvals and Declarations

DVGW **NW-6506CN0315**
 ABP **PA-IX 38219/IO**
 Declaration of conformity **DoC**



Spare parts



SP06063203

| | Name | Code |
|------|--|----------|
| 1 | Lever | 59913650 |
| 1.1 | Screw, M5x8, SW2.5 | 59904755 |
| 1.3 | Symbol plug Grey | 59912112 |
| 2 | Covering cap, 33x3 mm | 59912504 |
| 2.1 | Gasket, 45x35.5x5.4 | 59913651 |
| 3 | Tightening nut, M40x1 | 1003409V |
| 4 | Cartridge, 3.5 Eco | 59912324 |
| 4 | Cartridge, 3.5 Classic | 59913075 |
| 4.1 | Temperature adjustment limiter | 59912325 |
| 4.3 | O-ring, d 28.24x2.62 Discontinued | 59912590 |
| 4.4 | O-ring, d 10.10x1.60 Discontinued | 59905072 |
| 5.1 | Pop-up operating rod | 59913652 |
| 5.2 | Swivel joint | 59904624 |
| 5.3 | Bottom seal | 59914591 |
| 5.5 | Fixing plate | 59904765 |
| 5.6 | Screw, M8x1, SW13 | 59904766 |
| 5.7 | Fixing set | 59910749 |
| 5.8 | Flexible pipe, L=430, G3/8-M10x1 RH Discontinued | 59913213 |
| 5.9 | Flexible pipe, L=430, G3/8-M10x1 | 59912515 |
| 5.10 | O-ring, d 7.65x1.78 | 59902337 |
| 5.11 | Gasket, 9.5x14.4x2 | 59912551 |
| 5.12 | Fixing screw, M8x1, L=140 | 59912474 |
| 6 | Aerator, M18.5x1, TJ | 59913366 |
| 6.1 | Fitting ring for aerator | 59913654 |
| 6.3 | Swivel joint, M18.5x1 | 59913370 |
| 6.4 | Key for aerator, M18.5 | 59913367 |
| 7 | Pop-up waste | 59904620 |
| N.I. | Pop-up waste | 59911441 |
| N.I. | Key, SW30/34 | 59912108 |