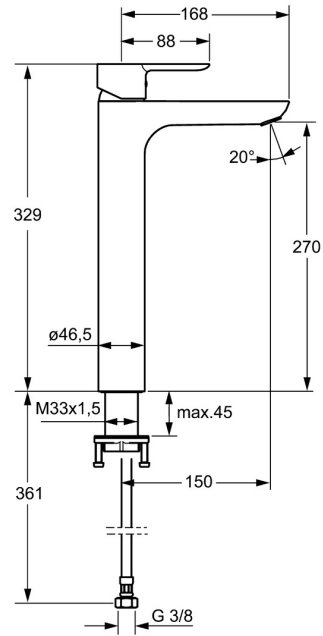
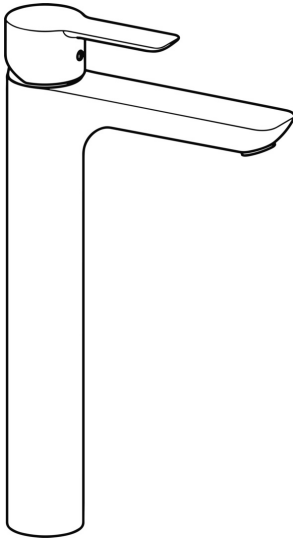


EAN: 4015474248588
static.hansa.com/06032203



- Washbasin
- Single-lever
- Deck mounted
- Chrome
- Fixed spout
- PCA® - constant flow rate regardless of pressure variations, Hidden aerator
- Hot/Cold symbols, Single operating lever/handle
- Limitation option for maximum temperature and flow-rate, Adjustable hot water stop (included, retrofittable)
- \varnothing 35 mm ceramic cartridge for flow and temperature control
- Flexible inlet pipes
- Inner body made of DZR brass
- Without pop-up waste, Without draw-rod opening



Technical data

Flow properties

Flow-rate at 3 bar (with flow controller) **6.0 l/min**

Technical properties

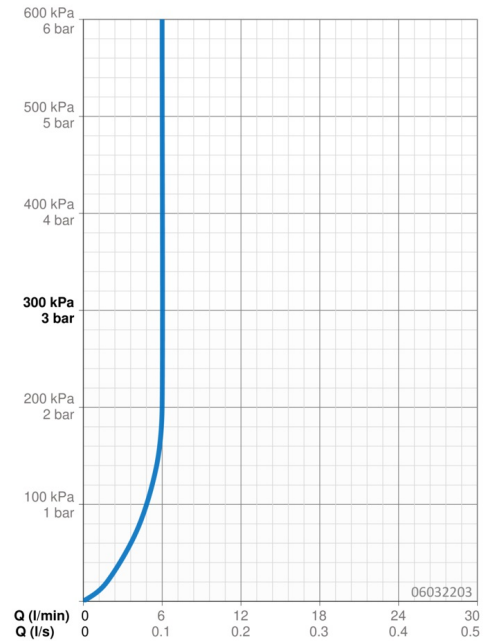
DN-size (nominal dimension) **DN15**
 Hot water supply **max. +70°C**
 Working pressure **1-10 bar**
 Connection size **G3/8**
 Projection **150 mm**
 Backflow prevention (EN1717) **AA**
 Material **Brass**

Regulations

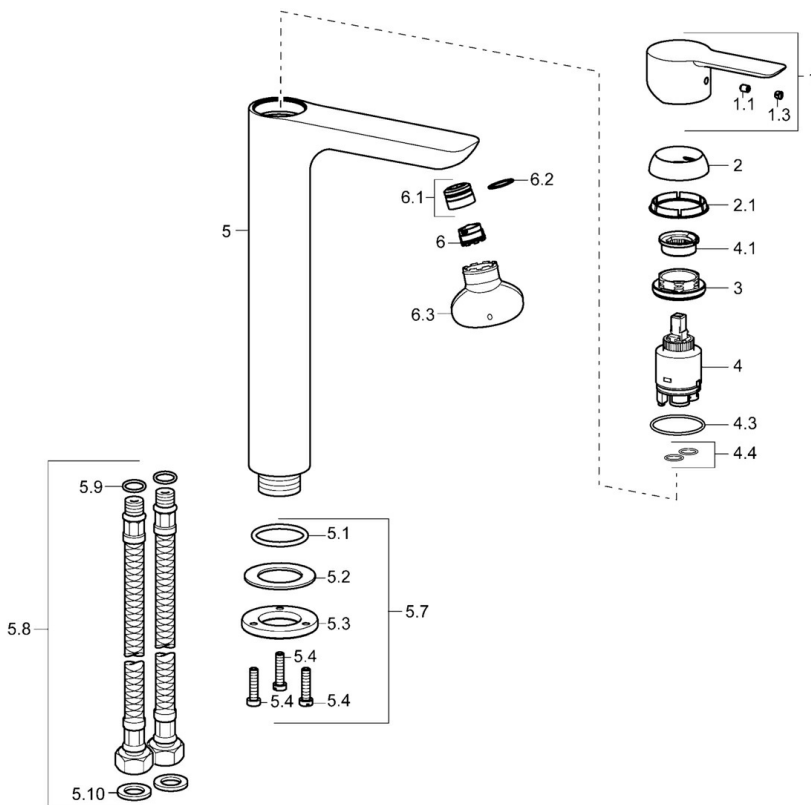
EN standard **EN 817**
 Noise class **I (ISO 3822)**

Approvals and Declarations

DVGW **NW-6506CN0315**
 ABP **PA-IX 38219/IO**
 Declaration of conformity **DoC**



Spare parts



SP06032203

	Name	Code
1	Lever	59913650
1.1	Screw, M5x8, SW2.5	59904755
1.3	Symbol plug Grey	59912112
2	Covering cap, 33x3 mm	59912504
2.1	Gasket, 45x35.5x5.4	59913651
3	Tightening nut, M40x1	1003409V
4	Cartridge, 3.5 Eco	59912324
4	Cartridge, 3.5 Classic	59913075
4.1	Temperature adjustment limiter	59912325
4.3	O-ring, d 28.24x2.62 Discontinued	59912590
4.4	O-ring, d 10.10x1.60 Discontinued	59905072
5.1	O-ring, d 36.09x d 3.53	59913396
5.7	Fixing set	59913371
5.8	Flexible pipe, L=590, G3/8-M10x1 Discontinued	59913166
5.9	O-ring, d 7.65x1.78	59902337
5.10	Gasket, 9.5x14.4x2	59912551
6	Aerator, M18.5x1, TJ	59913366
6.1	Fitting ring for aerator	59913654
6.3	Key for aerator, M18.5	59913367
N.I.	Key, SW30/34	59912108