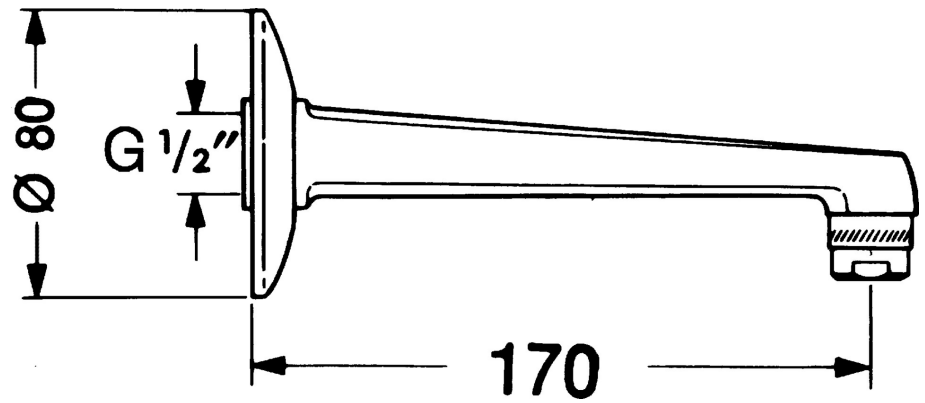


EAN: 4015474548794
static.hansa.com/059381000050



- Accessories
- Wall mounted



Technical data

Spare parts

SP059181000050

	Name	Code
1	Cover flange Discontinued	59902008
2	Aerator, M24x1 Z	59906826