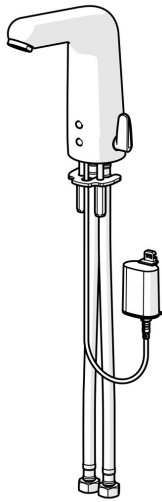


EAN: 4057304009945
static.hansa.com/056821190074



- Public & Semi-public, Health & Care
- Touchless, Battery-operated, Bluetooth®
- Deck mounted
- Chrome
- Fixed spout, Casted construction
- Litter filter(s), Non-return valve(s)
- Autofocus infrared sensor, Solenoid valve, Low battery indicator
- Without pop-up waste, Without draw-rod opening



Technical data

Technical properties

DN-size (nominal dimension)	DN15
Hot water supply	max. +70°C
Working pressure	1-10 bar
Connection size	9/16-24 UNEF EB
Backflow prevention (EN1717)	AA
Material	Brass

Electronic properties

Battery	Lithium 2CR5 6 V
Bluetooth version	4.x (D034445)

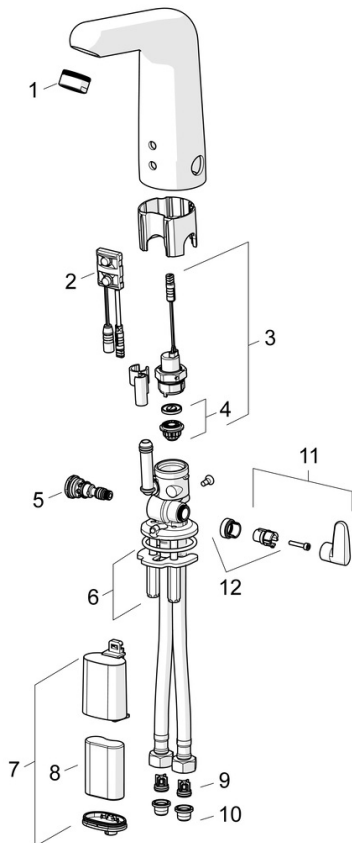
Regulations

EU Directives	C € Radio Equipment Directive 2014/53/EU , Low Voltage Directive 2014/35/EU , EMC Directive 2014/30/EU , RoHS Directive 2011/65/EU
EN standard	EN 15091, ETSI EN 301 489-1 V1.9.2 , ETSI EN 300 328 v2.2.2 , EN 61000-6-1:2007 , EN 61000-6-3:2007+A1:2011+AC:2012 , EN 60335-1:2012+A11+A13+A1+A14+A2+A15:2021, Part 19.11.4
Protection class	IP 55

Approvals and Declarations

Declaration of conformity	RED
---------------------------	------------

Spare parts



SP056821190074

	Name	Code
01	Aerator, M24x1 STD HC, 6 l/min Laminar	59914068
02	Sensor, 6/9/12 V, Bluetooth	59914567
03	Solenoid valve, 6 V	59914091
04	Membrane for solenoid valve	1006500V
04	Membrane support ring Discontinued	59914090
05	Temperature regulator	59914089
06	Fixing plates with nuts	59914132
07	Battery casing	59914154
08	Battery, 2CR5 6 V	59911670
09	Non-return valve Discontinued	59914693
10	Litter filter Discontinued	59914257