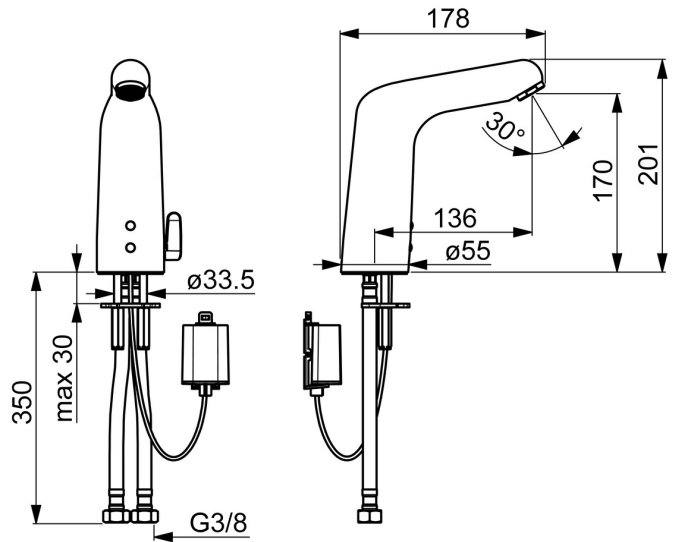
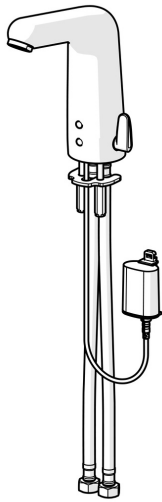


EAN: 4057304005053  
[static.hansa.com/05682119](https://static.hansa.com/05682119)



- Health & Care
- Touchless, Battery-operated, Bluetooth®
- Deck mounted
- Chrome
- Fixed spout, Casted construction
- Laminar stream
- Temperature control handle
- Adjustable hot water stop (included, retrofittable)
- Litter filter(s), Mixing valve for manual temperature control, Non-return valve(s)
- Autofocus infrared sensor, Solenoid valve, Low battery indicator
- Flexible inlet pipes, Special coating for hygienic premises
- Inner body made of DZR brass, Surfaces in contact with drinking water contain less than 0.3% lead, Waterways without nickel coating, Thermal disinfection proof for short durations, Software settings adjustable via App
- Without pop-up waste, Without draw-rod opening



## Technical data

### Flow properties

Flow-rate at 3 bar (with flow controller) **6.0 l/min**

### Technical properties

DN-size (nominal dimension) **DN15**  
 Hot water supply **max. +70°C**  
 Working pressure **1-10 bar**  
 Connection size **G3/8**  
 Projection **136 mm**  
 Backflow prevention (EN1717) **AA**  
 Material **Brass**

### Software settings

Afterflow period **3 s (1-20 s)**  
 Automatic flush **off (off/1-120 h)**  
 Automatic flush period **30 s (1-1800 s)**  
 Max. flow period **2 min (1 - 1800 s)**

### Electronic properties

Battery **Lithium 2CR5 6 V**  
 Bluetooth version **4.x (D034445)**

### Regulations

EU Directives **C € Radio Equipment Directive 2014/53/EU , Low Voltage Directive 2014/35/EU , EMC Directive 2014/30/EU , RoHS Directive 2011/65/EU**

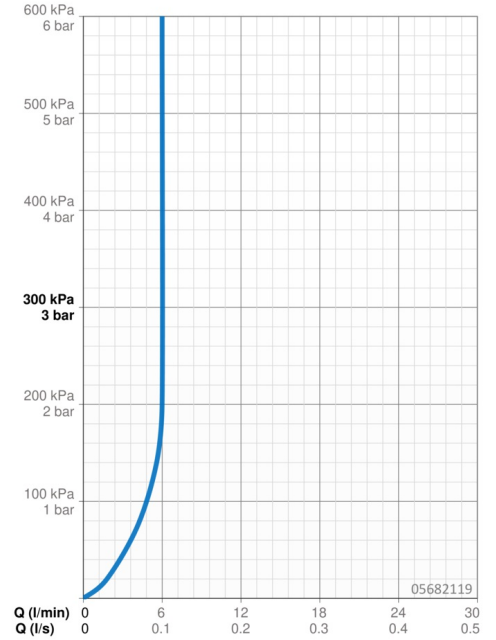
EN standard **EN 15091, ETSI EN 301 489-1 V1.9.2 , ETSI EN 300 328 v2.2.2 , EN 61000-6-1:2007 , EN 61000-6-3:2007+A1:2011+AC:2012 , EN 60335-1:2012+A11+A13+A1+A14+A2+A15:2021, Part 19.11.4**

Noise class **I (ISO 3822)**

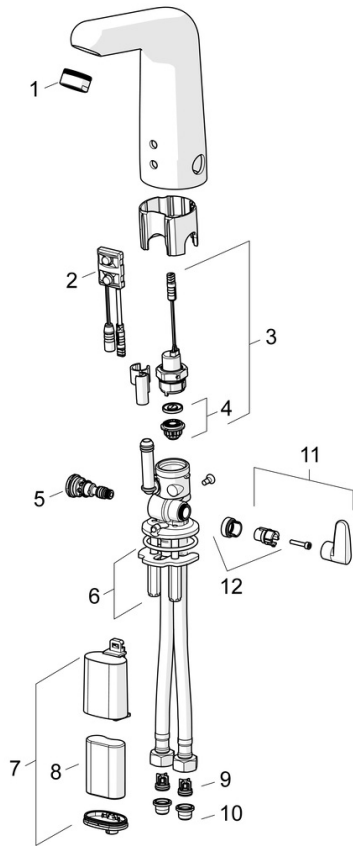
Protection class **IP 55**

### Approvals and Declarations

UN38.3 **UN38-3 Maxell 2CR5**  
 Declaration of conformity **RED**



## Spare parts



### SP05682119

	Name	Code
01	Aerator, M24x1 STD HC, 6 l/min Laminar	59914068
02	Sensor, 6/9/12 V, Bluetooth	59914567
03	Solenoid valve, 6 V	59914091
04	Membrane for solenoid valve	1006500V
04	Membrane support ring Discontinued	59914090
05	Temperature regulator, lead-free Discontinued	59914733
06	Fixing plates with nuts	59914132
07	Battery casing	59914154
08	Battery, 2CR5 6 V	59911670
09	Non-return valve Discontinued	59914569
10	Litter filters	59914085
11	Temperature control handle	59914568
12	Limiter	59914106