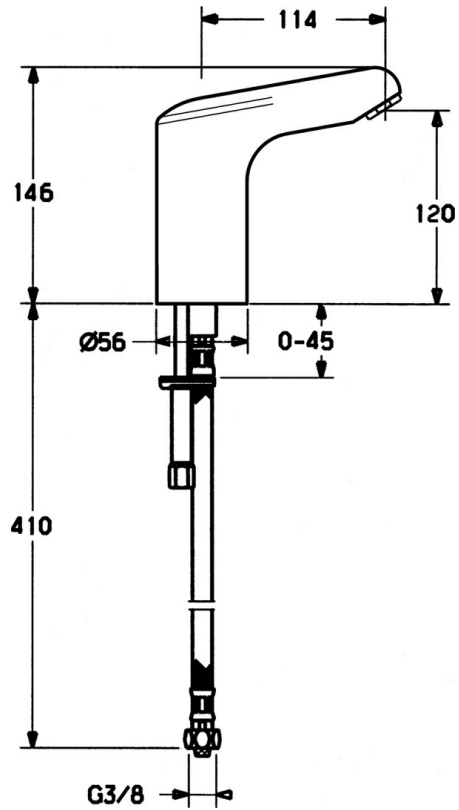
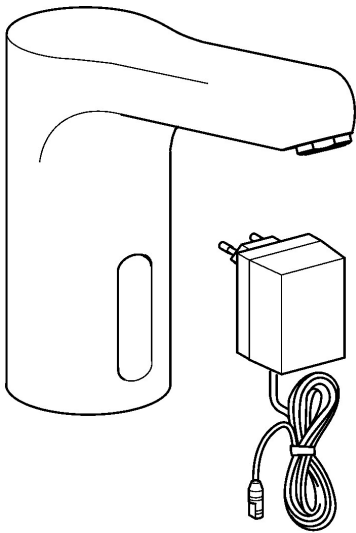


EAN: 4015474267527  
[static.hansa.com/05662200](http://static.hansa.com/05662200)



- Public & Semi-public, Health & Care
- Touchless, Plug transformer
- Deck mounted
- Chrome
- Litter filter(s)
- Flexible inlet pipes



## Technical data

### Technical properties

Hot water supply	<b>max. +70°C</b>
Working pressure	<b>0.5-10 bar</b>
Connection size	<b>G3/8</b>
Length / Height	<b>114 mm</b>
Material	<b>Brass</b>

### Electronic properties

Electrical Connection	<b>230 / 6 V</b>
-----------------------	------------------

### Regulations

EN standard	<b>EN 15091</b>
-------------	-----------------

## Spare parts

---

### SP05632200

---

	<b>Name</b>	<b>Code</b>
1	Solenoid valve	59912240
2	Power supply, 230/6 V DC	59911671
3	Fixing set	59911680
4	Flexible pipe, G3/8x10 (2008-)	59912447
5	Litter filter	59911684
6	Pop-up waste	59911441
7	Aerator, M24x1 STD HC, 6 l/min Laminar	59914068