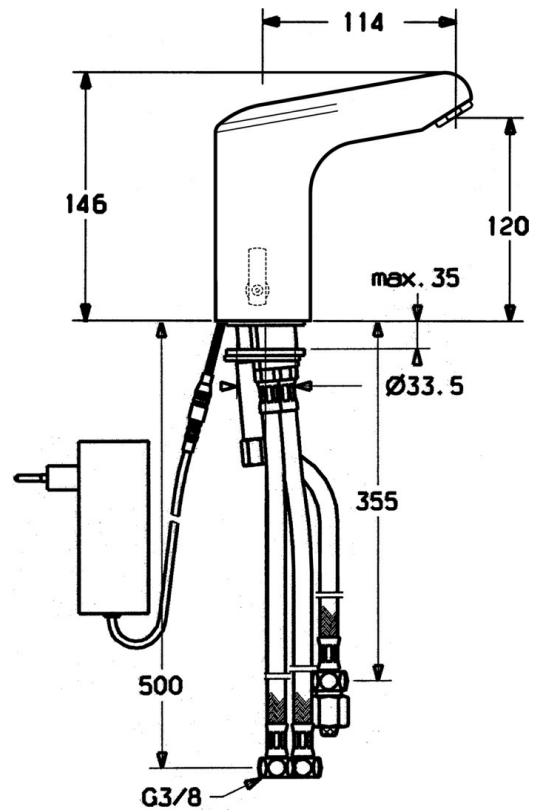
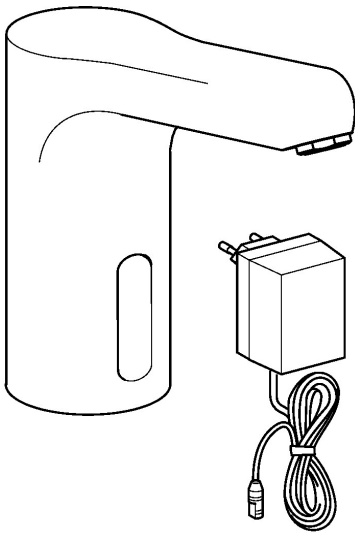


EAN: 4015474267534
static.hansa.com/05651100



- Public & Semi-public, Health & Care
- Touchless, Plug transformer, Low pressure
- Deck mounted
- Chrome
- Laminar stream
- Temperature preset fixable, Limitation option for maximum temperature and flow-rate
- Litter filter(s)
- Solenoid valve, Infrared sensor
- Flexible inlet pipes
- Surfaces in contact with drinking water contain less than 0.3% lead, Inner body made of DZR brass
- Without pop-up waste, Without draw-rod opening



Technical data

Technical properties

Hot water supply	max. +70°C
Working pressure	0.5-5 bar
Connection size	G3/8
Length / Height	114 mm
Material	Brass

Electronic properties

Electrical Connection	230 / 6 V
-----------------------	------------------

Regulations

EN standard	EN 15091
-------------	-----------------

Spare parts

SP05651100

	Name	Code
1	Solenoid valve	59912240
2	Power supply, 230/6 V DC	59911671
3	Fixing set	59911680