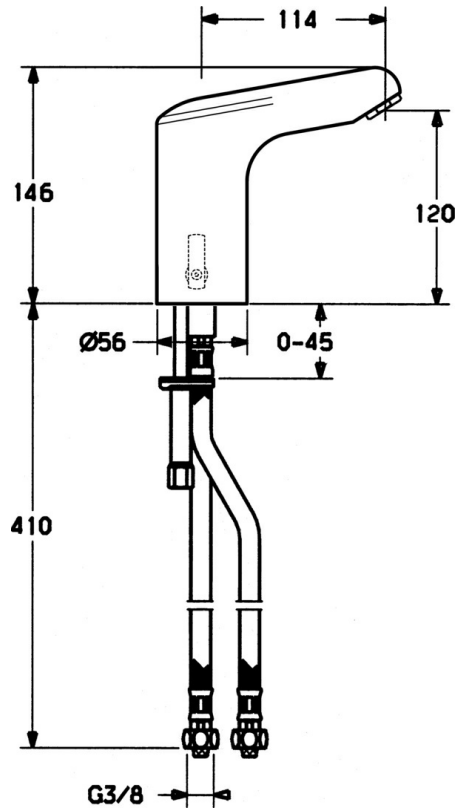
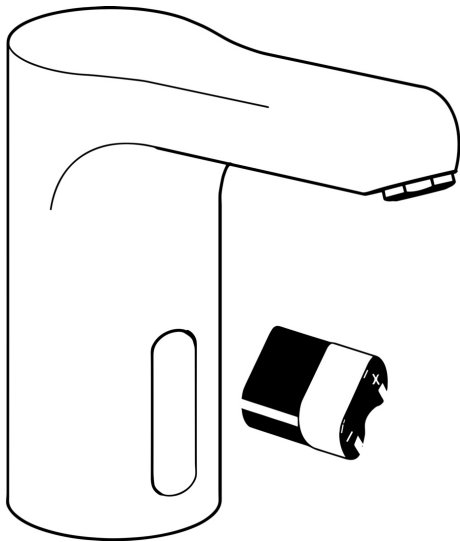


EAN: 4015474267565  
[static.hansa.com/05642210](http://static.hansa.com/05642210)



- Public & Semi-public, Health & Care
- Touchless, Battery-operated
- Deck mounted
- Chrome
- Laminar stream
- Temperature preset fixable, Limitation option for maximum temperature and flow-rate
- Litter filter(s)
- Low battery indicator, Infrared sensor, Solenoid valve
- Flexible inlet pipes
- Surfaces in contact with drinking water contain less than 0.3% lead, Inner body made of DZR brass
- Without pop-up waste, Without draw-rod opening



## Technical data

### Technical properties

Hot water supply	<b>max. +70°C</b>
Working pressure	<b>1-10 bar</b>
Connection size	<b>G3/8</b>
Length / Height	<b>114 mm</b>
Material	<b>Brass</b>

### Electronic properties

Battery	<b>Lithium DL223 6 V</b>
---------	--------------------------

### Regulations

EN standard	<b>EN 15091</b>
-------------	-----------------

## Spare parts

---

### SP05632210

---

	<b>Name</b>	<b>Code</b>
1	Solenoid valve	59912240
2	Lithium battery, DL223A /CR-P2	59912443
3	Fixing set	59911680
4	Flexible pipe, G3/8x10 (2008-)	59912447
5	Litter filter	59911684
6	Pop-up waste	59911441
7	Aerator, M24x1 STD HC, 6 l/min Laminar	59914068