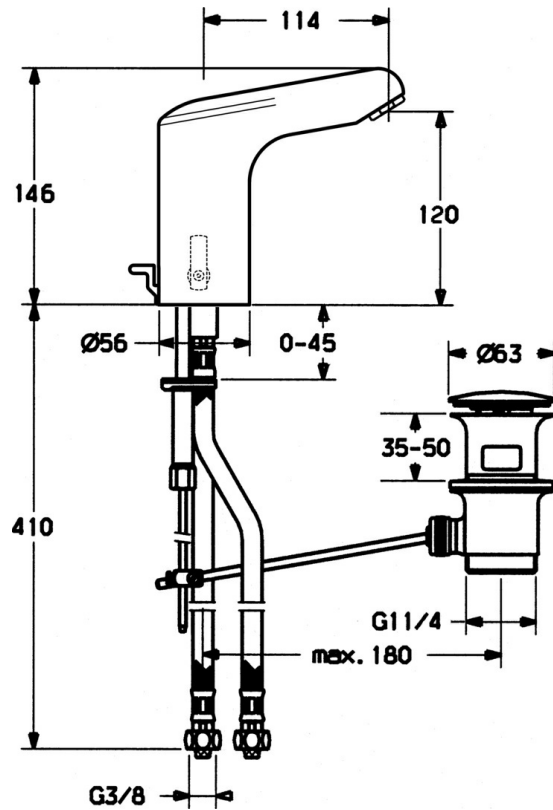
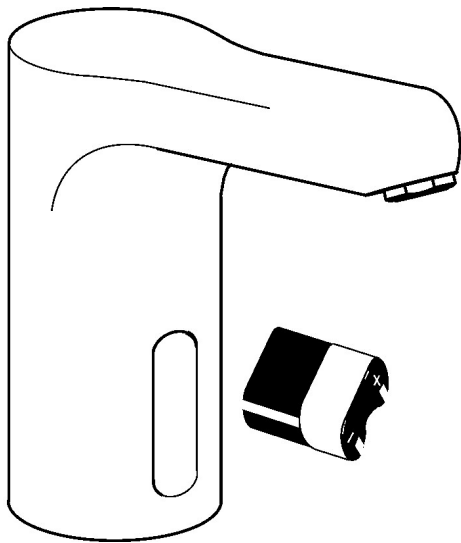


EAN: 4015474267541
static.hansa.com/05632210



- Public & Semi-public, Health & Care
- Touchless, Battery-operated
- Deck mounted
- Chrome
- Laminar stream
- Pop-up waste with draw-rod
- Temperature preset fixable, Limitation option for maximum temperature and flow-rate
- Litter filter(s)
- Low battery indicator, Infrared sensor, Solenoid valve
- Flexible inlet pipes
- Surfaces in contact with drinking water contain less than 0.3% lead, Inner body made of DZR brass



Technical data

Technical properties

DN-size (nominal dimension)	DN15
Hot water supply	max. +70°C
Working pressure	0.5-10 bar
Connection size	G3/8
Length / Height	114 mm
Material	Brass

Electronic properties

Battery	Lithium DL223 6 V
---------	--------------------------

Regulations

EN standard	EN 15091
-------------	-----------------

Spare parts

SP05632210

	Name	Code
1	Solenoid valve	59912240
2	Lithium battery, DL223A / CR-P2	59912443
3	Fixing set	59911680
4	Flexible pipe, G3/8x10 (2008-)	59912447
5	Litter filter	59911684
6	Pop-up waste	59911441
7	Aerator, M24x1 STD HC, 6 l/min Laminar	59914068