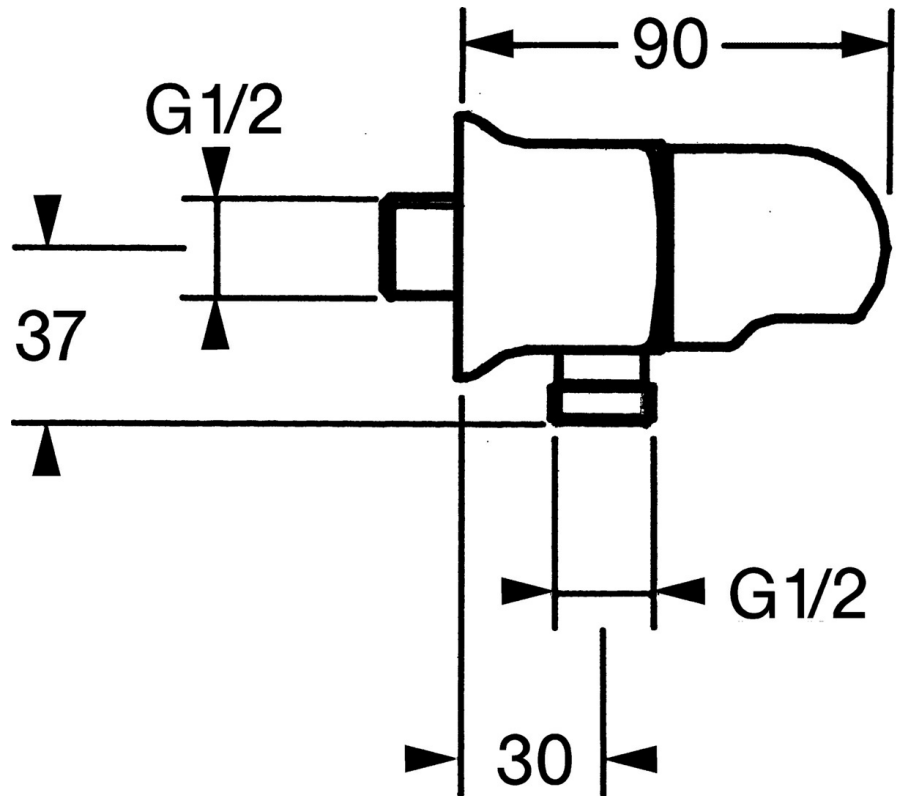


EAN: 4015474672147
static.hansa.com/04470100

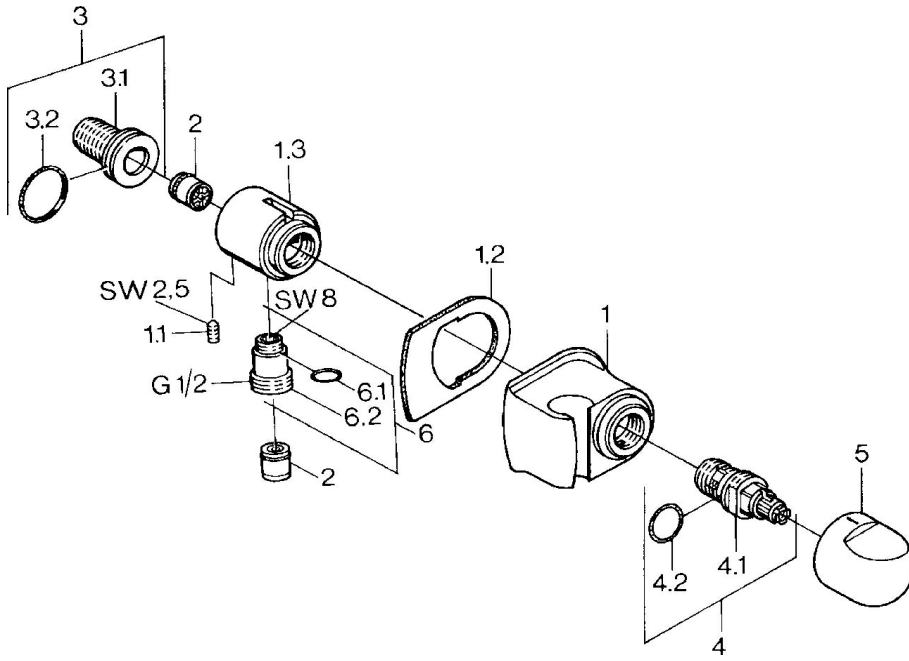


- Shower solutions
- Accessories
- Wall mounted
- Chrome
- protected against back-flow in domestic use (according to DIN EN 1717)



Technical data

Spare parts



SP04470100

	Name	Code
1.1	Screw, M6x9 Discontinued	59911237
1.2	Form sealing Discontinued	59911251
2	Non-return valve	59905714
3	Connection nipple, G1/2	59911229
3.2	O-ring, d 25x2.5	59905053
4	Headpart, G1/2, 180°	59911103
4.2	O-ring, d 18x2	59901422
5	Handle Discontinued	59910211
6	Connector	59906277
6.1	O-ring, d 11x1.5 Discontinued	59911253