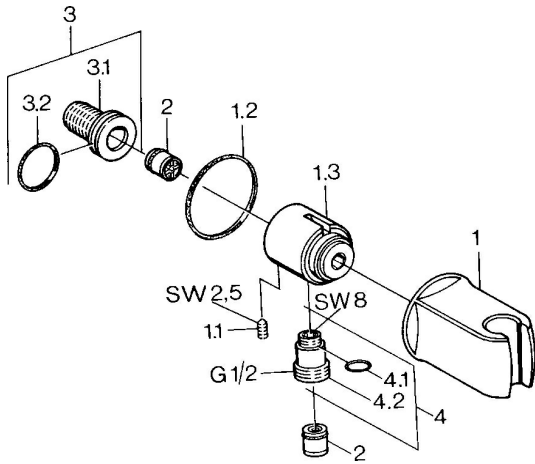


EAN: 4015474672437  
[static.hansa.com/0446010083](http://static.hansa.com/0446010083)



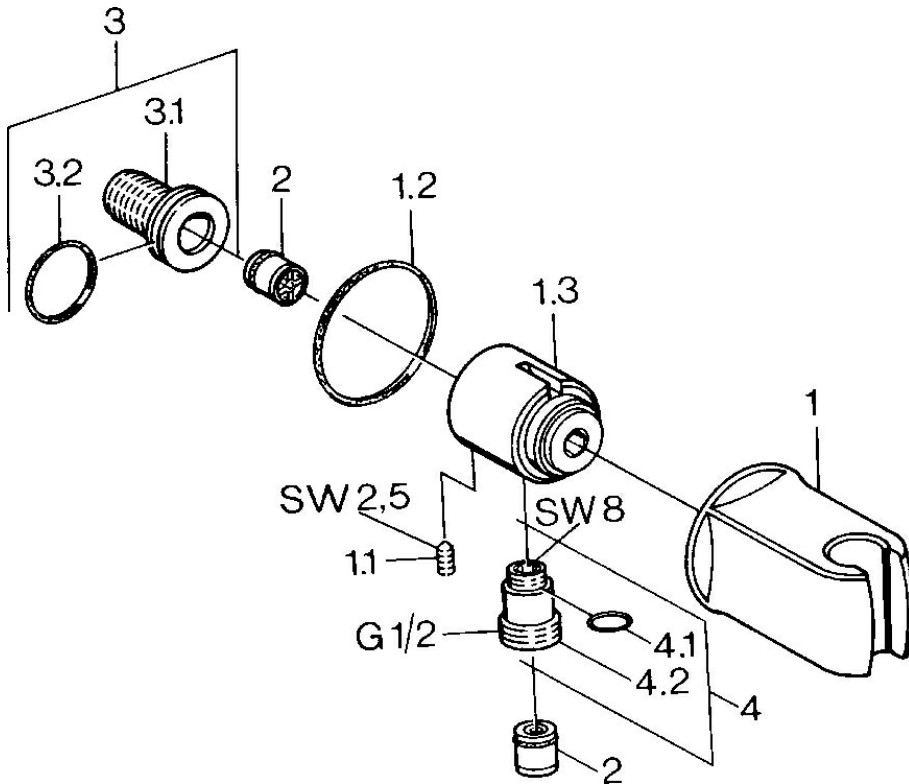
- Shower solutions
- Accessories
- Wall mounted
- Red
- Wall connection elbow, Shower holder
- Non-return valve(s)
- Ball eccentric coupling(s)

## Technical data

### Technical properties

|                              |                   |
|------------------------------|-------------------|
| DN-size (nominal dimension)  | <b>DN15</b>       |
| Hot water supply             | <b>max. +80°C</b> |
| Working pressure             | <b>0.5-10 bar</b> |
| Connection size              | <b>G1/2</b>       |
| Backflow prevention (EN1717) | <b>EB</b>         |
| Material                     | <b>Brass</b>      |

## Spare parts



### SP04460100

| Name                              | Code     |
|-----------------------------------|----------|
| 1 Hand shower holder Discontinued | 59911230 |
| 1.1 Screw, M6x9 Discontinued      | 59911237 |
| 1.2 Gasket Discontinued           | 59911238 |
| 2 Non-return valve                | 59905714 |
| 3 Connection nipple, G1/2         | 59911229 |
| 3.2 O-ring, d 25x2.5              | 59905053 |
| 4 Connector                       | 59906277 |
| 4.1 O-ring, d 11x1.5 Discontinued | 59911253 |