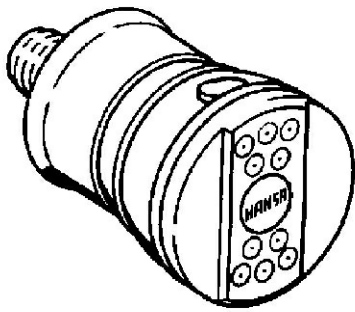


EAN: 4015474672635  
[static.hansa.com/04360100](http://static.hansa.com/04360100)



- Shower solutions
- Accessories
- Wall mounted
- Chrome
- Flow control handle
- Rotatable ball joint connection
- Intense - invigorating water stream, Normal - Even and soft water stream
- Litter filter(s), Non-return valve(s)
- 2 spray functions



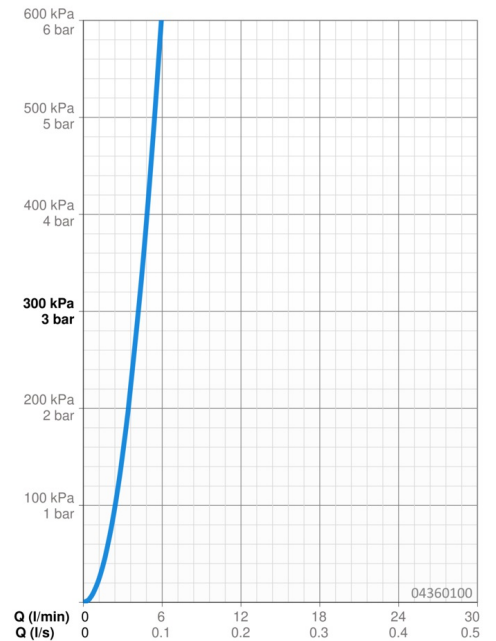
## Technical data

### Flow properties

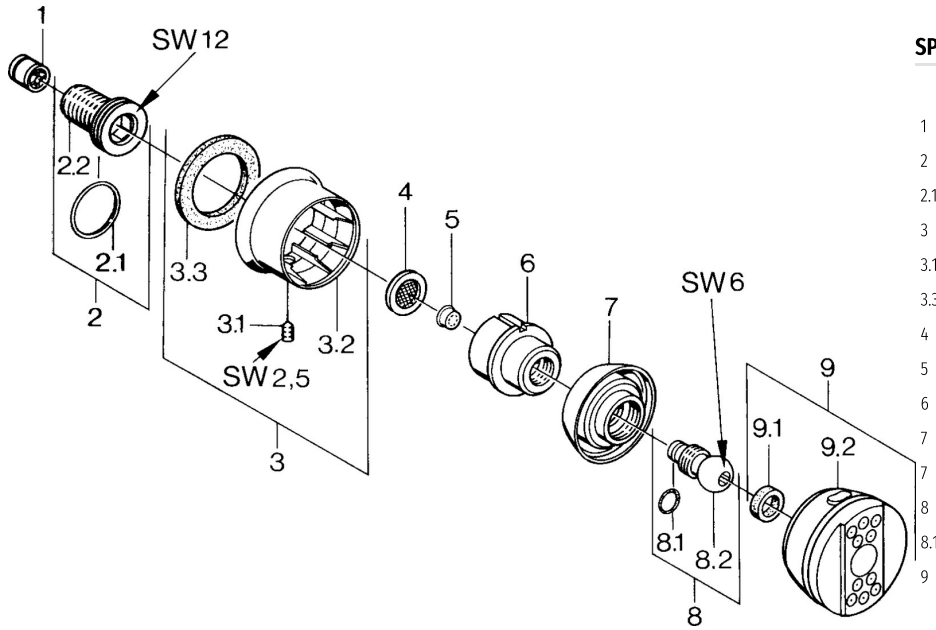
Flow-rate at 3 bar **4.2 l/min**

### Technical properties

Hot water supply **max. +80°C**  
 Working pressure **0.5-10 bar**  
 Connection size **G1/2**  
 Backflow prevention (EN1717) **EB**



## Spare parts



### SP04360100

	Name	Code
1	Non-return valve	59905714
2	Connection nipple, G1/2	59911229
2.1	O-ring, d 25x2.5	59905053
3	Cover flange Discontinued	59911343
3.1	Screw, M6x9 Discontinued	59911237
3.3	Gasket Discontinued	59911350
4	Filter sealing, G3/4	59911076
5	Flow control handle Discontinued	59911351
6	Housing Aranja Discontinued	59911358
7	Housing Black Discontinued	59911356
7	Housing Discontinued	59911352
8	Fixing screw Discontinued	59911359
8.1	O-ring, 12x2 Discontinued	59911376
9	Side shower with connector, DN15 Discontinued	59911360