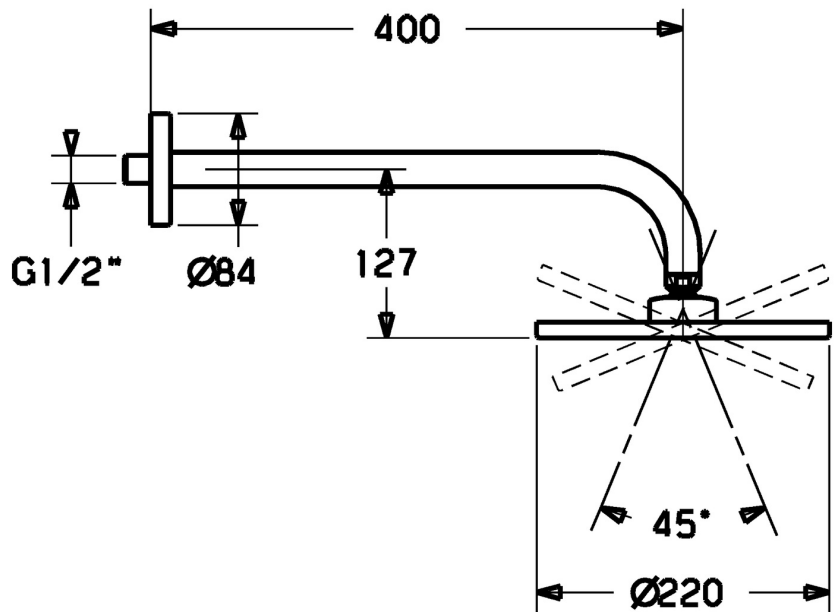
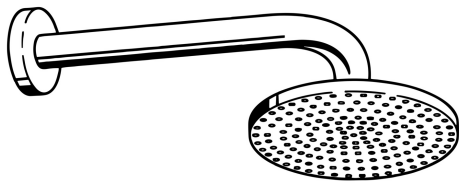


EAN: 4015474061521  
[static.hansa.com/04180100](http://static.hansa.com/04180100)

HANSAJET with Round shower head for rain shower, solid brass Ø 220 mm, projection: 400 mm, reinforced wall fixation



- Shower solutions
- Accessories
- Wall mounted
- Chrome
- Overhead shower, Eco flow control, Rotatable ball joint connection, Anti limescale technology (easy to clean)
- Rain - Even and strong water stream
- Reinforced version
- Round rosette
- 1 spray function



## Technical data

### Flow properties

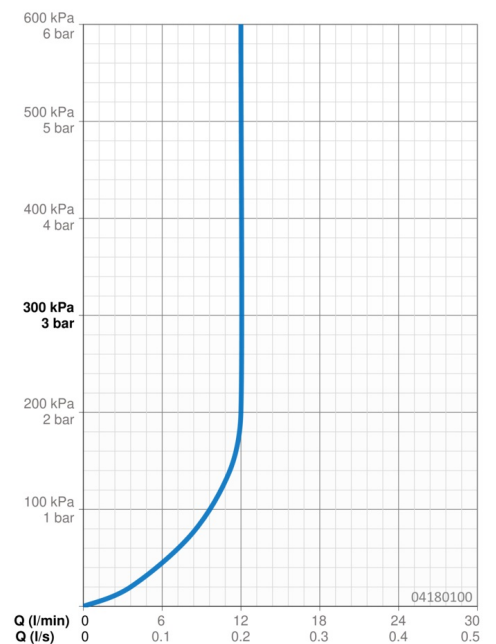
Flow-rate at 3 bar (with flow controller) **12.0 l/min**

### Technical properties

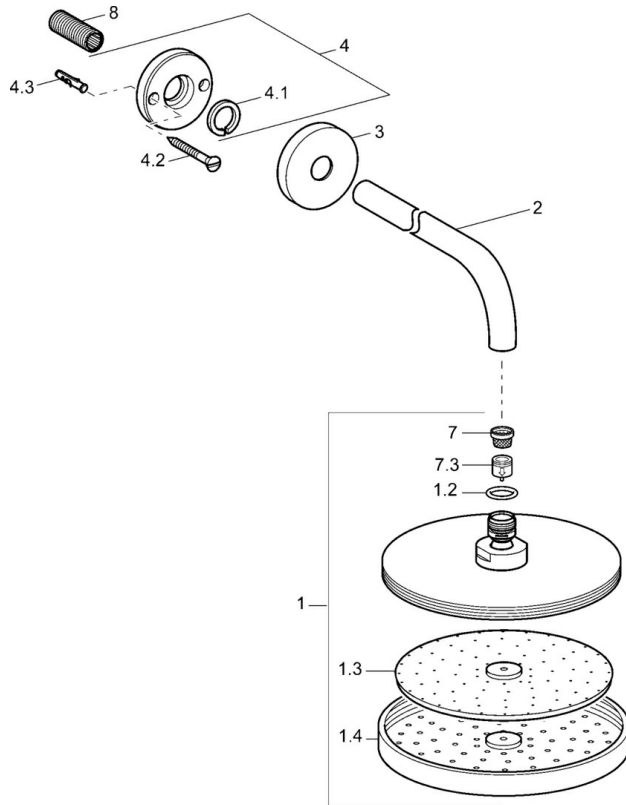
DN-size (nominal dimension) **DN15**  
 Hot water supply **max. +65°C**  
 Working pressure **0.5-10 bar**  
 Connection size **G1/2**  
 Projection **400 mm**

### Approvals and Declarations

Declaration of conformity **DoC**



## Spare parts



### SP04180100

	Name	Code
1	Headshower, d 220 mm	59912432
1.2	O-ring, 20x2	59912435
1.3	Nozzle plate, (-2013)	59912908
2	Shower pipe, G1/2xM24x1, (-2013)	59912389
3	Cover flange, d 84 mm	59912430
4	Retaining ring Discontinued	59912431
4.1	Clamping ring, d 26 mm Discontinued	59912433
7	Strainer	59906859
7.3	Flow limiter	59912777
8	Thread nipple, G1/2, AF12	59912144
N.I.	Shower pipe, G1/2xG1/2	59913872
N.I.	Connection nipple, G1/2, M24x1	59913137