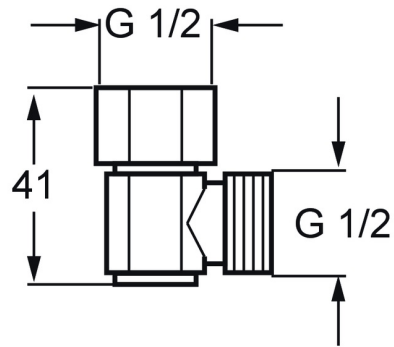
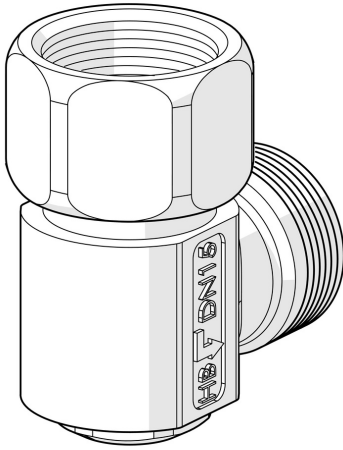


EAN: 4015474036888
static.hansa.com/04050100



- Health & Care, Accessories
- Chrome
- Shower hose emptying valve, DN 15 For installation between hose and faucet for surface-mounted and concealed batteries and for complete emptying of the shower hose in accordance with the Hospital Directive RKI Connection G 1/2 Angle type



Technical data

Technical properties

DN-size (nominal dimension)	DN15
Hot water supply	max. +80°C
Working pressure	1-10 bar
Connection size	G1/2
Backflow prevention (EN1717)	HD
Material	Brass

Approvals and Declarations

Declaration of conformity	DoC
---------------------------	------------