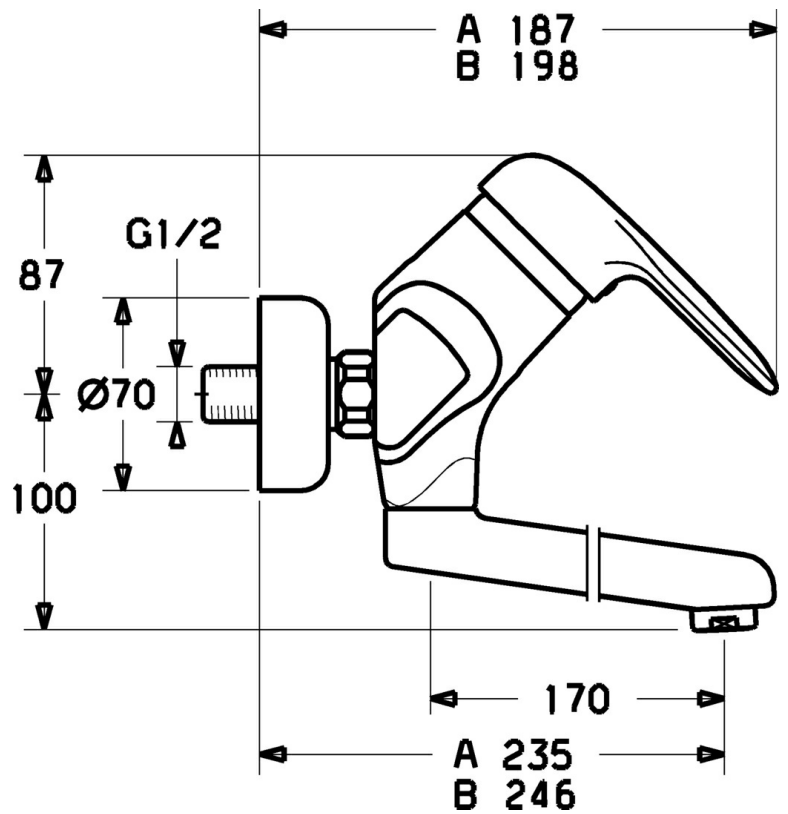


EAN: 4015474054219
static.hansa.com/03949200



- Washbasin
- Single-lever
- Wall mounted
- Chrome
- Single operating lever/handle, Hot/Cold symbols



Technical data

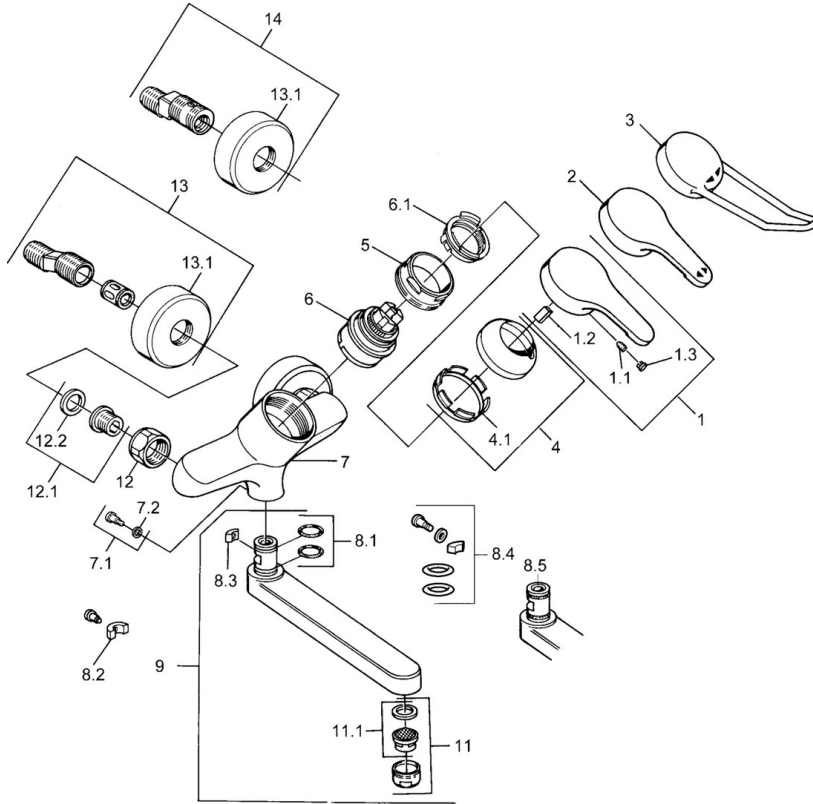
Technical properties

Hot water supply	max. +80°C
Working pressure	0.5-10 bar
Material	Brass

Regulations

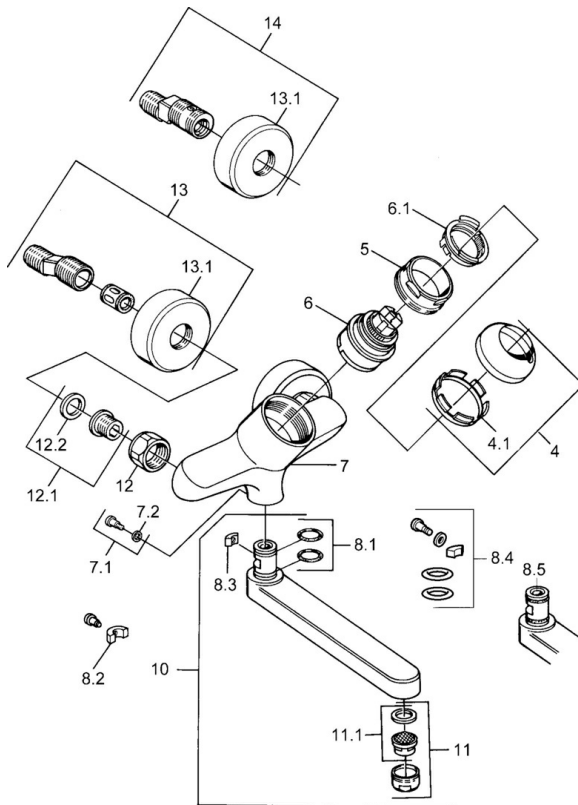
EN standard	EN 817
-------------	--------

Spare parts



SP03949200

	Name	Code
1	Lever, L=99 mm, (-2011)	59913768
4	Covering cap	59906563
4.1	Fixing sleeve	59906695
5	Eye screw, M50x1, SW45	59904775
6	Cartridge, 4.8 eco	59904601
6.1	Hot water limiter	59904759
7.1	Fixing screw, M6x12, AF2.5	59904804
8	Spout, L=235	59910417
8	Spout, L=96	59910419
8	Spout, L=170	59911183
8	Spout, L=145	59911380
8.1	O-ring, d 15x2.5	59910423
8.2	Screw, M6x10, 2,5	59911435
8.2	Limiter	59910421
8.3	Limiter	59910422
11	Aerator, M24x1 STD HC A	59902366
11.1	Aerator, M22/24 A	59902081
12	Connection nut, G3/4, AF30	59902230
12.1	Seat, G1/2, L, WAF10	59904618
12.2	Retaining ring, 23.9x15.2x2	59902689
14	Eccentric coupling with stop valves and cover plates Discontinued	59910420
N.I.	Emptying valve	59912483



SP03692100

	Name	Code
1	Lever, 99 mm, red/blue Discontinued	59913769
1	Lever, L=99 mm, (-2011)	59913768
1	Lever, L=138 mm Discontinued	59913770
4	Covering cap	59906563
4.1	Fixing sleeve	59906695
5	Eye screw, M50x1, SW45	59904775
6	Cartridge, 4.8 eco	59904601
6.1	Hot water limiter	59904759
7.1	Fixing screw, M6x12, AF2.5	59904804
8.1	O-ring, d 15x2.5	59910423
8.2	Screw, M6x10, 2,5	59911435
8.2	Limiter	59910421
8.3	Limiter	59910422
10	Spout, L=235	59910417
10	Spout, L=145	59911380
10	Spout, L=170	59911183
10	Spout, L=96	59910419
11	Aerator, M24x1 STD HC A	59902366
11.1	Aerator, M22/24 A	59902081
12	Connection nut, G3/4, AF30	59902230
12.1	Seat, G1/2, L, WAF10	59904618
12.2	Retaining ring, 23.9x15.2x2	59902689
13	Eccentric Discontinued	59906601
N.I.	Emptying valve	59912483