

EAN: 4015474682795
static.hansa.com/0384910042

- Bathtub & Shower
- Single-lever, Trim Kit
- Concealed wall mounting
- Aranja/Edelmessing
- Single operating lever/handle, Hot/Cold symbols

Technical data

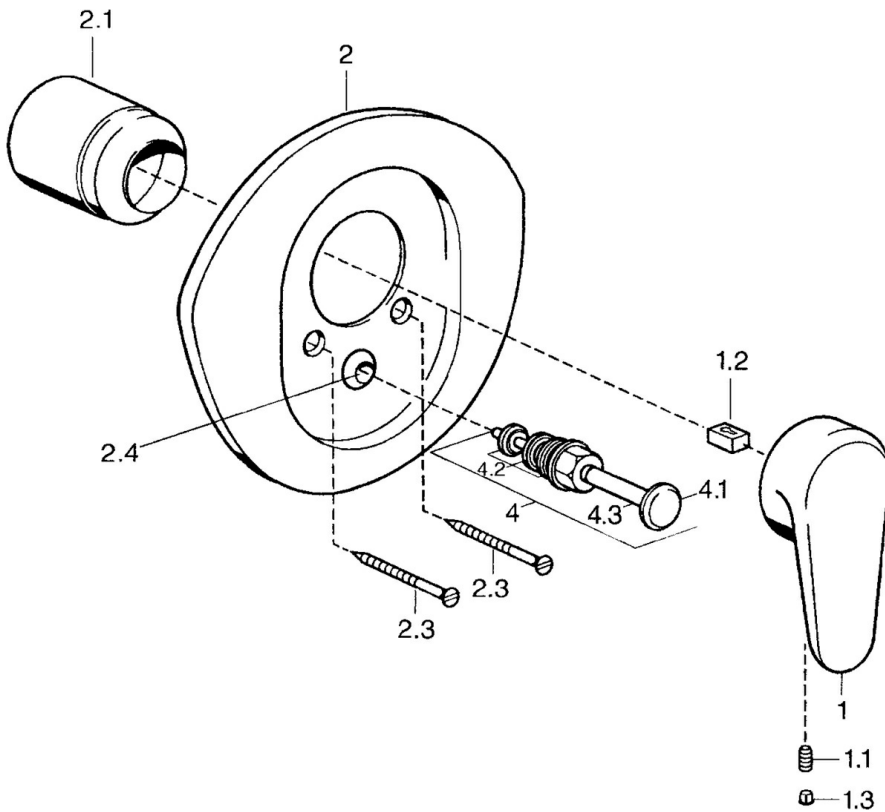
Technical properties

| | |
|------------------|-------------------|
| Hot water supply | max. +80°C |
| Working pressure | 0.5-10 bar |

Regulations

| | |
|-------------|---------------|
| EN standard | EN 817 |
|-------------|---------------|

Spare parts



SP03849102

| | Name | Code |
|------|----------------------------------------|----------|
| 1 | Lever, L=138 mm Discontinued | 59913770 |
| 1 | Lever, 99 mm, red/blue Discontinued | 59913769 |
| 1 | Lever, L=99 mm, (-2011) | 59913768 |
| 1.1 | Screw, M5x8, SW2.5 | 59904755 |
| 1.2 | Bushing | 59904778 |
| 1.3 | Plug, hot/cold | 59906705 |
| 2 | Cover flange Chrome/Satin Discontinued | 59911543 |
| 2 | Cover flange White Discontinued | 59911544 |
| 2 | Cover flange Discontinued | 59911542 |
| 2.1 | Covering cap Edelmessing Discontinued | 59906537 |
| 2.1 | Covering cap | 59904820 |
| 2.3 | Screw, M5x65 White Discontinued | 59906672 |
| 2.3 | Screw, M5x65 | 59904847 |
| 2.3 | Screw, M5x65 Gold Discontinued | 59904849 |
| 2.4 | Flow limiting cap | 59904846 |
| 4 | Diverter Gold Discontinued | 59906392 |
| 4 | Diverter | 59911156 |
| 4 | Diverter Edelmessing Discontinued | 59910904 |
| 4.2 | Sealing kit | 59904791 |
| 4.3 | O-ring, d 4x1 | 59902331 |
| N.I. | Raising kit, 20 mm | 59904983 |