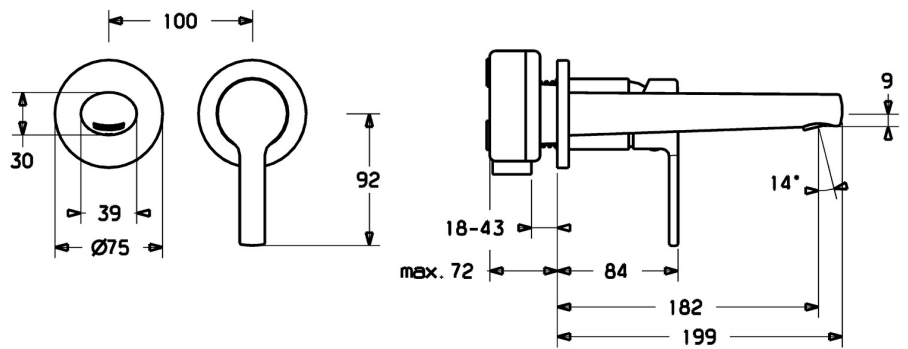
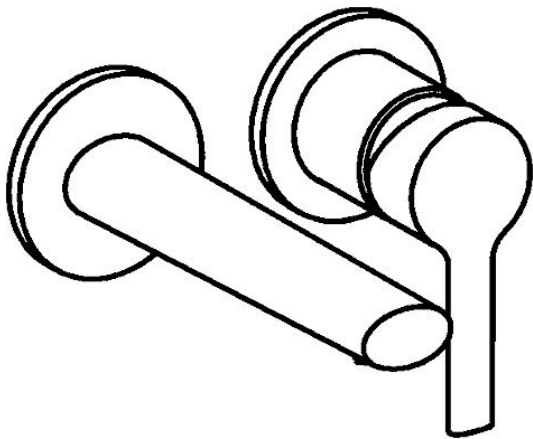


EAN: 4015474252301
static.hansa.com/03832273



- Washbasin
- Single-lever, Trim Kit
- Concealed wall mounting
- Chrome
- Fixed spout
- PCA® - constant flow rate regardless of pressure variations, Hidden aerator
- Hot/Cold symbols, Single operating lever/handle
- Limitation option for maximum temperature and flow-rate
- Round rosette, Sleeve



Technical data

Flow properties

Flow-rate at 3 bar (with flow controller) **6.0 l/min**

Technical properties

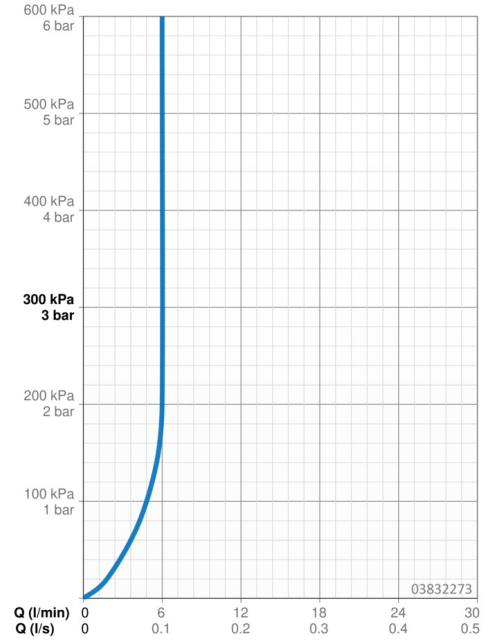
DN-size (nominal dimension) **DN15**
 Hot water supply **max. +80°C**
 Working pressure **1-10 bar**
 Projection **182 mm**
 Backflow prevention (EN1717) **AA**
 Material **Brass**

Regulations

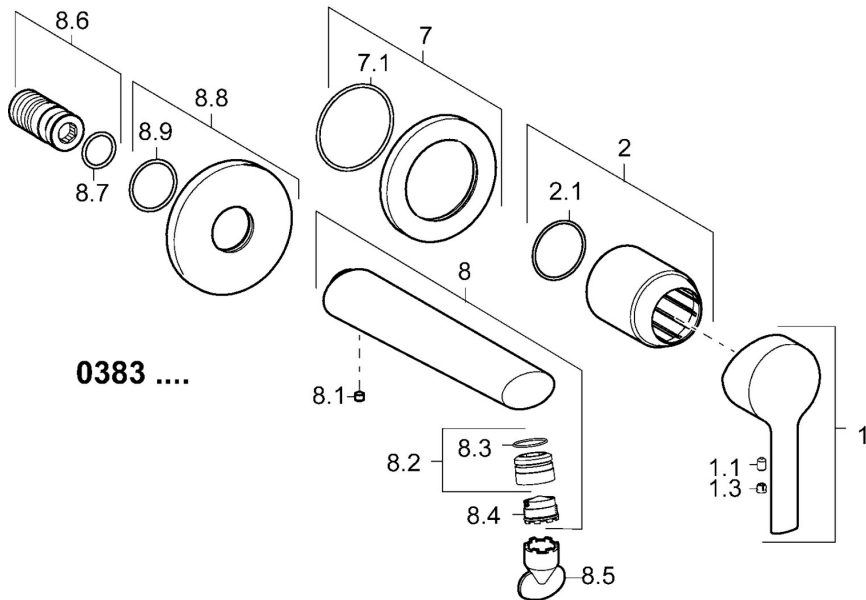
EN standard **EN 817**

Approvals and Declarations

Declaration of conformity **DoC**



Spare parts



SP03832273

	Name	Code
1	Lever	59913761
1.1	Screw, M5x8, SW2.5	59904755
1.3	Cover plug	59913762
2	Cover sleeve	59912511
2.1	O-ring, 41x3	59913215
7	Cover flange, d 75 mm	59913729
7.1	O-ring, 49x2	59913279
8	Spout, L=180	59913765
8.1	Screw, M5x6, SW2.5	59912617
8.2	Fitting ring for aerator	59913654
8.4	Aerator, M18.5x1, TJ	59913366
8.5	Key for aerator, M18.5	59913367
8.6	Thread nipple	59913658
8.8	Cover flange, d 75 mm	59913246
8.9	O-ring, d 26x2	59913423
N.I.	Raising kit, 20 mm	59913136