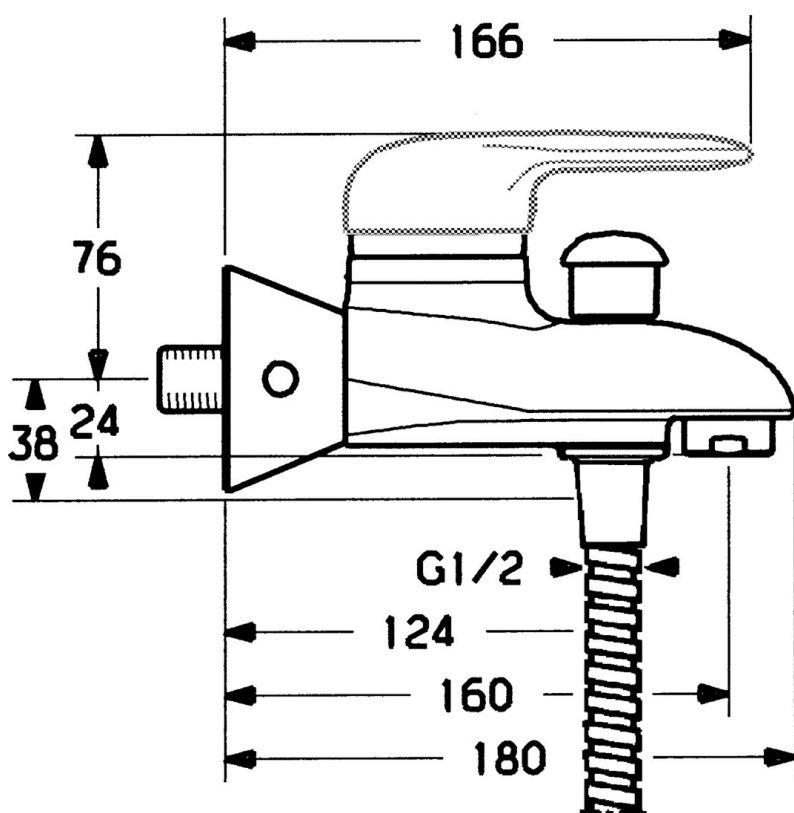


EAN: 4015474551633  
[static.hansa.com/03742130](http://static.hansa.com/03742130)



- Bathtub & Shower
- Single-lever
- Wall mounted
- Chrome
- Single operating lever/handle, Hot/Cold symbols
- Non-return valve(s)
- Without operation lever
- protected against back-flow in domestic use (according to DIN EN 1717)



## Technical data

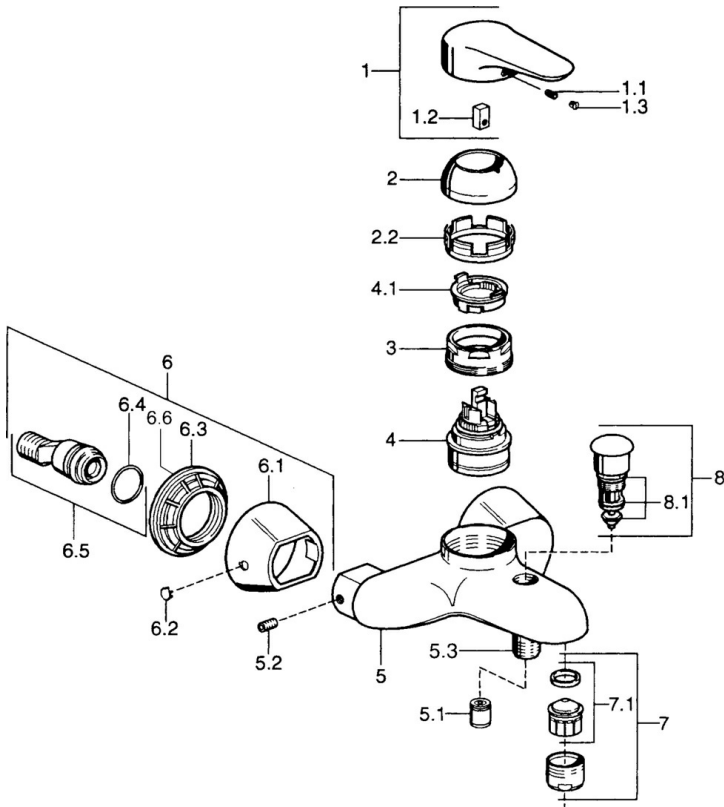
### Technical properties

|                              |                   |
|------------------------------|-------------------|
| Hot water supply             | <b>max. +80°C</b> |
| Working pressure             | <b>0.5-10 bar</b> |
| Backflow prevention (EN1717) | <b>EB</b>         |

### Regulations

|             |               |
|-------------|---------------|
| EN standard | <b>EN 817</b> |
|-------------|---------------|

## Spare parts



### SP03742102

|     | Name                                    | Code     |
|-----|---|----------|
| 1   | Lever, 99 mm, red/blue Discontinued     | 59913769 |
| 1   | Lever, L=99 mm, (-2011)                 | 59913768 |
| 1   | Lever, L=138 mm Discontinued            | 59913770 |
| 1.1 | Screw, M5x8, SW2.5                      | 59904755 |
| 1.2 | Bushing                                 | 59904778 |
| 1.3 | Plug, hot/cold                          | 59906705 |
| 2   | Covering cap Chrome/Satin Discontinued  | 59906564 |
| 2   | Covering cap                            | 59906563 |
| 2.2 | Fixing sleeve                           | 59906695 |
| 3   | Eye screw, M50x1, SW45                  | 59904775 |
| 4   | Cartridge, 4.8 eco                      | 59904601 |
| 4.1 | Hot water limiter                       | 59904759 |
| 5.1 | Non-return valve                        | 59905714 |
| 5.2 | Screw, M8x8                             | 59906104 |
| 5.3 | Thread nipple, G1/2xM18x1               | 59911384 |
| 5.6 | Vacuum breaker, DN15                    | 59911330 |
| 6.1 | Cover flange Discontinued               | 59911473 |
| 6.2 | Plug Discontinued                       | 59911480 |
| 6.3 | Adapter Discontinued                    | 59911486 |
| 6.4 | O-ring, 25.07x2.62                      | 59911479 |
| 6.5 | Connector, G1/2                         | 59911491 |
| 7   | Aerator, M28x1 C White Discontinued     | 59905683 |
| 7   | Aerator, M28x1 C                        | 59902088 |
| 7   | Aerator, M28x1 Edelmessing Discontinued | 59906687 |
| 7.1 | Aerator, M28x1 C Discontinued           | 59902089 |
| 8   | Diverter Discontinued                   | 59911492 |
| 8.1 | Sealing kit                             | 59904791 |

