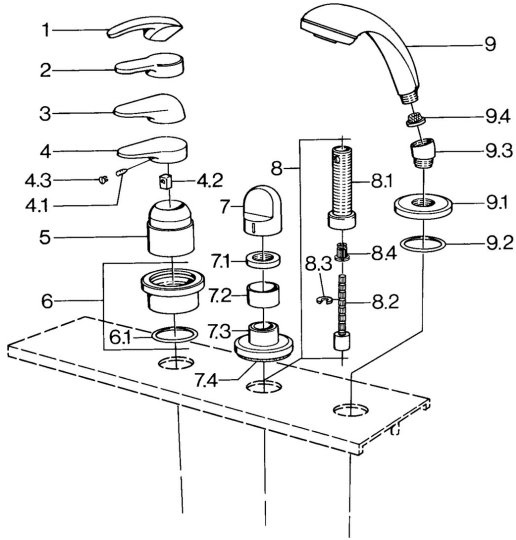


EAN: 4015474671447
static.hansa.com/0363903094



- Bathtub & Shower
- Trim Kit

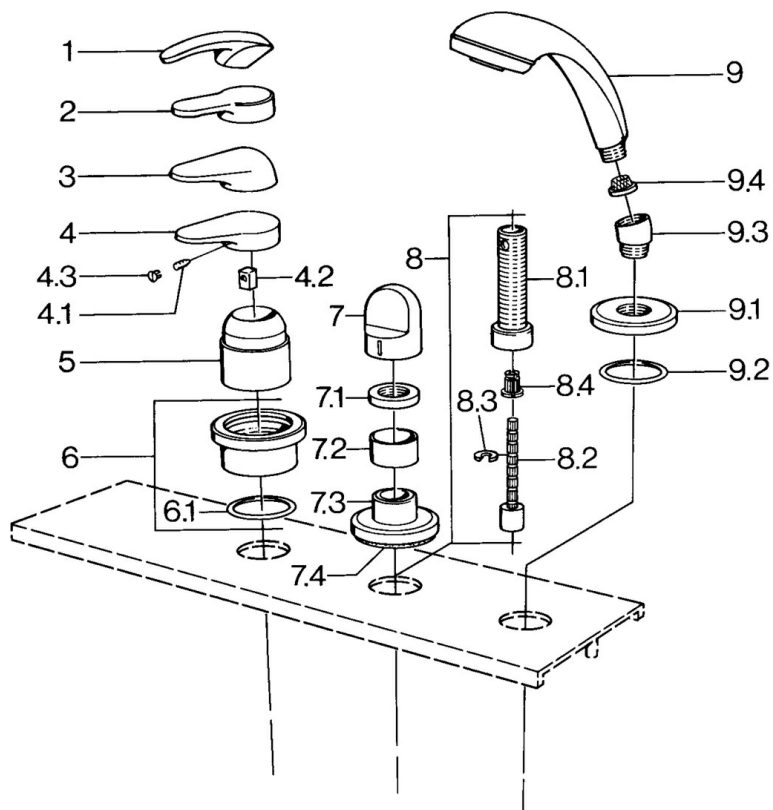
- Tiled rim assembly
- Edelmessing

Technical data

Technical properties

| | |
|------------------|-------------------|
| Hot water supply | max. +80°C |
| Working pressure | 0.5-10 bar |

Spare parts



SP03639030

| | Name | Code |
|-----|---|-----------|
| 4.1 | Screw, M5x8, SW2.5 | 59904755 |
| 4.2 | Bushing | 59904778 |
| 4.3 | Plug, hot/cold | 59906705 |
| 6 | Cover plate Discontinued | 59911191 |
| 6.1 | O-ring, d 55x2.5 Discontinued | 59911225 |
| 7 | Handle White Discontinued | 59910364 |
| 7 | Handle | 59910363 |
| 7.1 | Disk, M24x1.5 | 59910159 |
| 7.3 | Cover flange Chrome/Satin Discontinued | 59910095 |
| 7.3 | Cover flange, d 70 mm | 59910094 |
| 7.3 | Cover flange White Discontinued | 59910096 |
| 8 | Raising kit, 80 mm | 59910424 |
| 8.1 | Threaded sleeve, M24x1.5 | 59910100 |
| 8.2 | Inside spindle | 59910379 |
| 8.3 | Ring | 59910694 |
| 8.4 | Adapter White | 59910235 |
| 9 | Hand shower Chrome/Satin Discontinued | 599043392 |
| 9 | Hand shower Chrome/Satin Discontinued | 599043302 |
| 9 | Hand shower Discontinued | 04320100 |
| 9 | Hand shower White/Edelmessing Discontinued | 599043303 |
| 9 | Hand shower Edelmessing Discontinued | 599043305 |
| 9 | Hand shower Chrome/Edelmessing Discontinued | 599043304 |
| 9 | Hand shower Chrome/Gold Discontinued | 599043390 |
| 9.1 | Cover flange | 59910125 |
| 9.2 | O-ring, 54x3 Discontinued | 59901107 |
| 9.3 | Angle connector | 59911197 |
| 9.3 | Angle connector Satin Discontinued | 59911198 |
| 9.3 | Angle connector White Discontinued | 59911202 |
| 9.4 | Strainer | 59906859 |