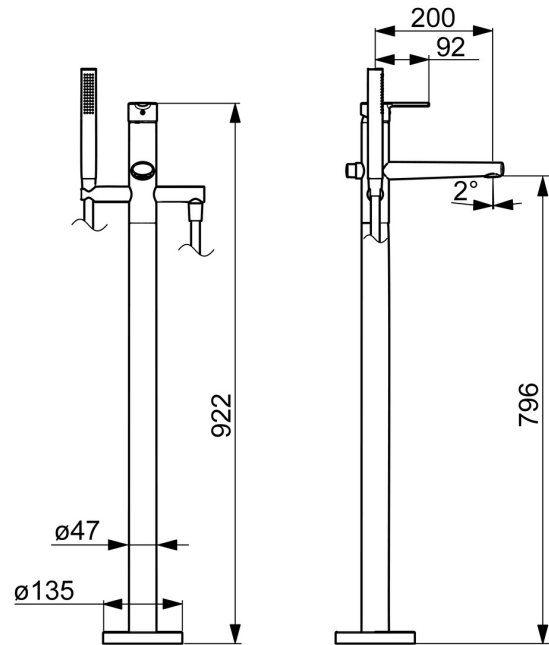
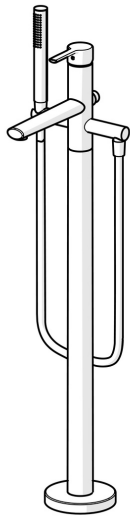


EAN: 4015474252479
static.hansa.com/03422073



- Bathtub & Shower
- Single-lever
- Floor standing
- Chrome
- Fixed spout
- Hidden aerator
- Hot/Cold symbols, Single operating lever/handle
- Pull operated diverter, Automatic reset
- Hand shower, Shower holder, Shower hose (1250 mm)
- Intense - invigorating water stream
- Limitation option for maximum temperature and flow-rate, Adjustable hot water stop (included, retrofittable)
- Non-return valve(s), \varnothing 35 mm ceramic cartridge for flow and temperature control
- Inner body made of DZR brass
- protected against back-flow in domestic use (according to DIN EN 1717)
- 1 spray function



Technical data

Flow properties

Flow-rate at 3 bar **20.4 / 13.2 l/min**

Technical properties

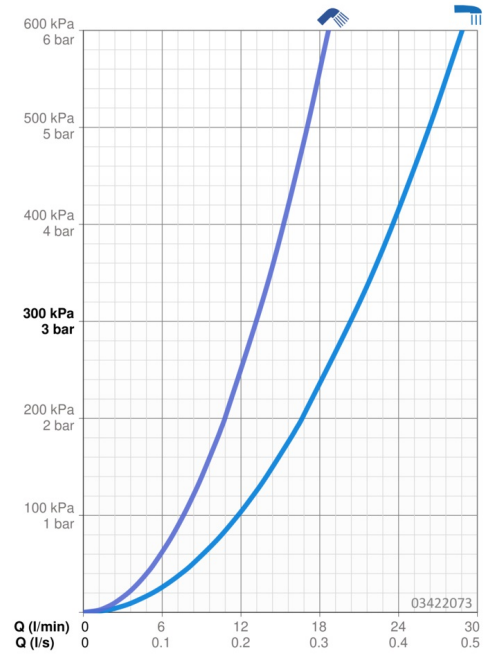
DN-size (nominal dimension) **DN15**
 Hot water supply **max. +65°C**
 Working pressure **0.5-10 bar**
 Projection **200 mm**
 Backflow prevention (EN1717) **EB**

Regulations

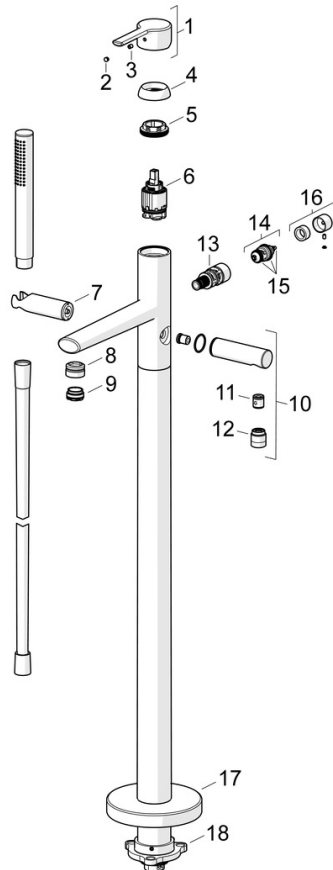
EN standard **EN 817, EN 1112, EN 1113**

Approvals and Declarations

Declaration of conformity **DoC**



Spare parts



SP03422073

	Name	Code
01	Lever	59913761
02	Symbol plug Grey	59912112
03	Screw, M5x8, SW2.5	59904755
04	Covering cap, 33x3 mm	59912504
05	Tightening nut, M40x1	1003409V
06	Cartridge, 3.5 Classic	59913075
07	Hand shower holder Discontinued	59913718
08	Gasket ring	59913759
09	Aerator, M24x1 D, CC	59913720
10	Shower pipe	59913722
11	Non-return valve	59905714
12	Thread nipple, G1/2xM18x1	59911384
13	Diverter	59913721
14	Diverter	59912870
15	Sealing kit	59904791
16	Knob	59912871
17	Cover flange, d 135 mm Discontinued	59913726
18	Fixing set Discontinued	59913723