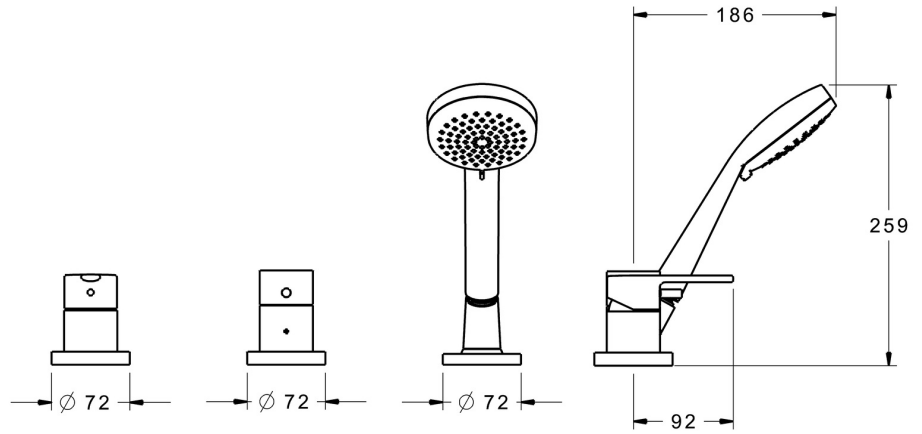
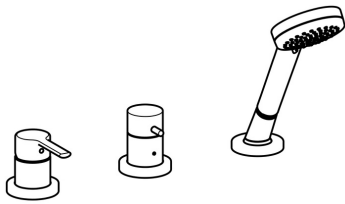


EAN: 4015474252455
static.hansa.com/03419073



- Bath tub & Shower
- Trim Kit, Single-lever
- Rim mounted
- Chrome
- Single operating lever/handle, Hot/Cold symbols
- Shower hose (1750 mm)
- Litter filter(s), Non-return valve(s)
- Inner body made of DZR brass
- Round rosette
- 3 spray functions



Technical data

Flow properties

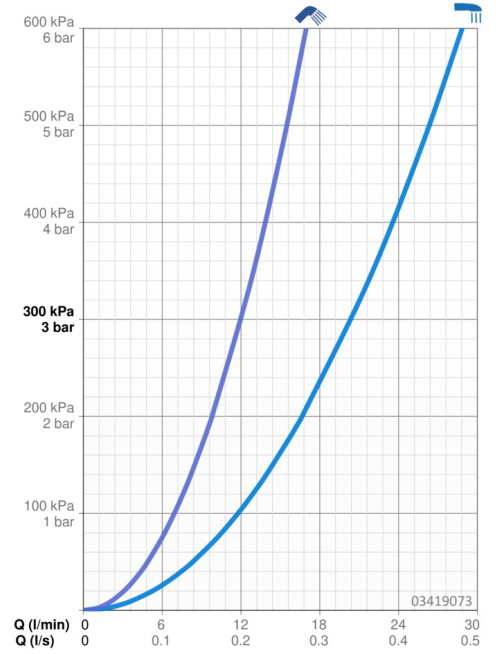
Flow-rate at 3 bar **20.4 / 12.0 l/min**

Technical properties

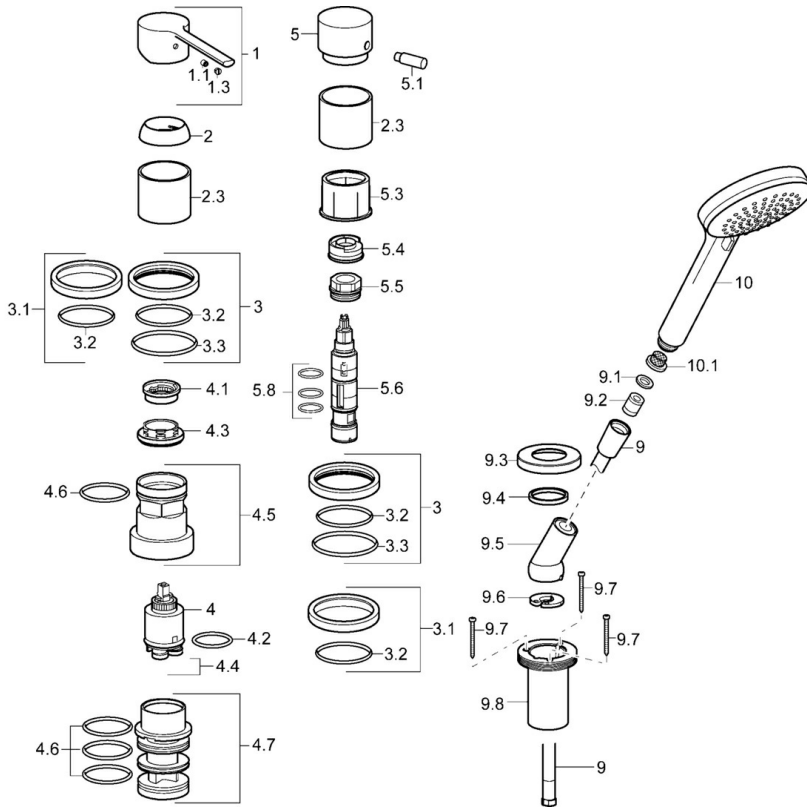
Hot water supply **max. +80°C**
 Working pressure **0.5-10 bar**
 Backflow prevention (EN1717) **EB**

Regulations

EN standard **EN 817, EN 1112, EN 1113**



Spare parts



SP03419073

	Name	Code
1	Lever	59913761
1.1	Screw, M5x8, SW2.5	59904755
1.3	Cover plug	59913762
2	Covering cap, 33x3 mm	59912504
2.3	Cover sleeve	59913275
3	Cover flange, d 72 mm, for Compact	59913276
3.1	Cover flange, d 72 mm	59913277
3.2	O-ring, 49x2	59913279
3.3	O-ring, 60x3	59913280
4	Cartridge, 3.5 Eco	59912324
4	Cartridge, 3.5 Classic	59913075
4.1	Temperature adjustment limiter	59912325
4.2	O-ring, d 28.24x2.62 Discontinued	59912590
4.3	Tightening nut, M40x1	1003409V
4.4	O-ring, d 10.10x1.60 Discontinued	59905072
4.5	Eye screw, M52x1, AF38	59913274
4.6	O-ring, d 40x2	59911507
4.7	Adapter	59913282
5	Diverter knob	59913283
5.1	Pin, M6, 21 mm	59913284
5.3	Ring	59913285
5.4	Flow limiter	59911897
5.5	Tightening nut, M32x1.5, AF30	59913735
5.6	Diverter	59912269
5.8	O-ring kit, d 24x2	59911835
9	Shower hose, L=1750, G1/2-M12x1	59912281
9.1	Gasket ring, d 21x12x2	59912304
9.2	Non-return valve	59905714
9.3	Cover flange, M70x1	59912287
9.4	Bearing ring	59912286
9.5	Holder	59912282
9.6	Disk	59912337
9.7	Screw, M4x45	59912291
9.8	Passing-through bushing	59912290
10	Hand shower, d 100 mm Discontinued	44330100
10.1	Strainer	59906859
N.I.	Raising kit, 30 mm, HM 3.5 (-2015)	59913189
N.I.	Raising kit, 30 mm	59913190
N.I.	Extension screw kit, (2015-)	59914337