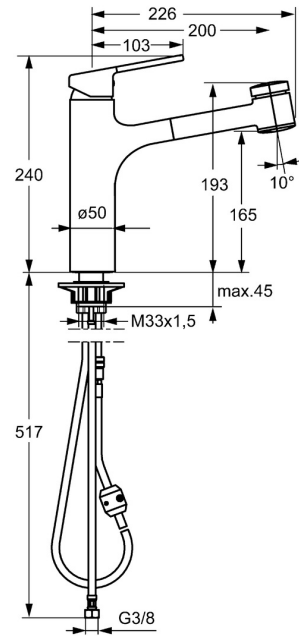
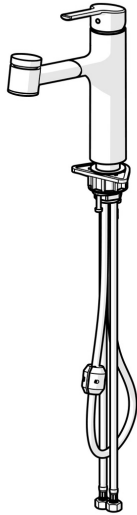
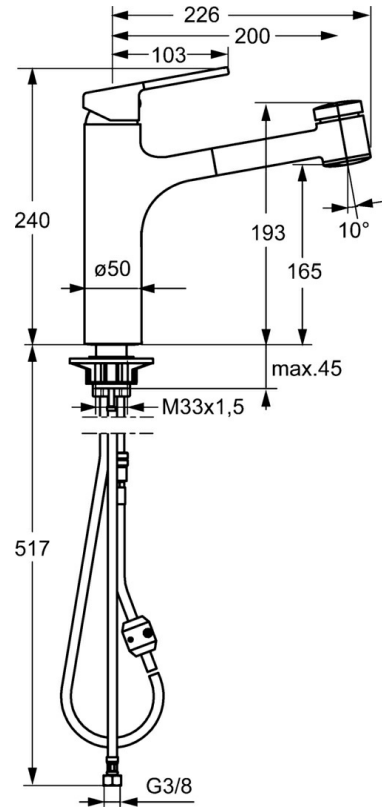


EAN: 4015474263192
static.hansa.com/03382273



- Kitchen
- Single-lever
- Deck mounted
- Chrome
- Swivel spout, Pull-out model
- Standard aerator
- Hot/Cold symbols, Single operating lever/handle
- Push operated diverter, Automatic reset
- Limitation option for maximum temperature and flow-rate, Adjustable hot water stop (included, retrofittable)
- Non-return valve(s), \varnothing 35 mm ceramic cartridge for flow and temperature control
- Flexible inlet pipes
- Surfaces in contact with drinking water contain less than 0.3% lead, Inner body made of DZR brass, Waterways without nickel coating
- protected against back-flow in domestic use (according to DIN EN 1717)
- 2 spray functions





Technical data

Flow properties

Flow-rate at 3 bar **9.0 l/min**

Technical properties

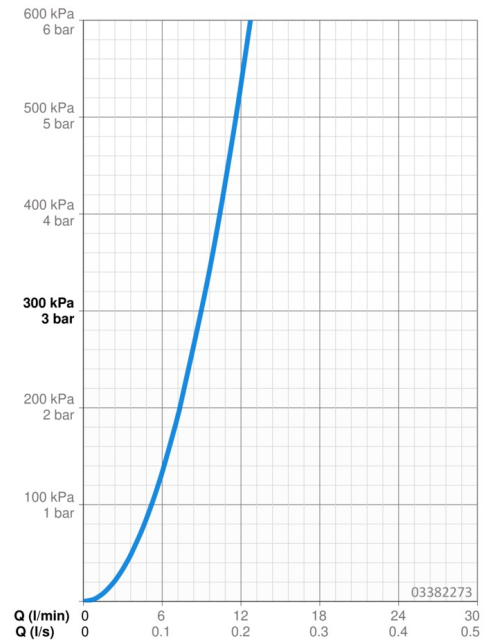
DN-size (nominal dimension) **DN15**
 Hot water supply **max. +70°C**
 Working pressure **0.5-10 bar**
 Connection size **G3/8**
 Projection **200 mm**
 Backflow prevention (EN1717) **EB**
 Material **Brass**

Regulations

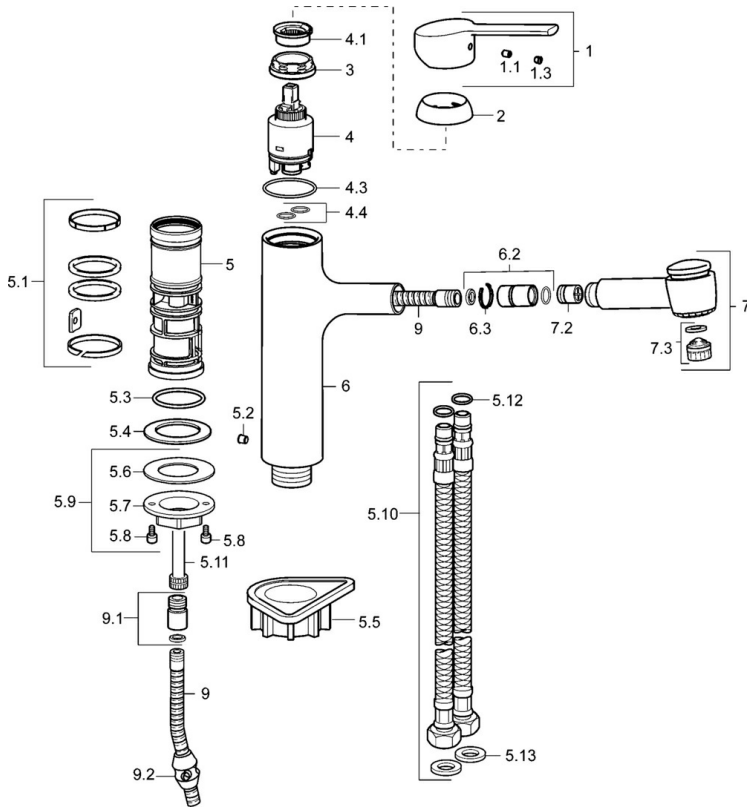
EN standard **EN 817**
 Noise class **I (ISO 3822)**

Approvals and Declarations

KIWA **K6116/08**
 DVGW **NW-6506CN0310**
 ABP **P-IX 29658/IBO**
 Declaration of conformity **DoC**



Spare parts



SP03382273

	Name	Code
1	Lever, (2013-)	59913991
1.1	Screw, M5x8, SW2.5	59904755
1.3	Cover plug	59913762
2	Covering cap, 33x3 mm	59912504
3	Tightening nut, M37x1, AF30 Discontinued	59912111
4	Cartridge, 3.5 Eco	59912324
4	Cartridge, 3.5 Classic	59913075
4.1	Temperature adjustment limiter	59912325
4.3	O-ring, d 28.24x2.62 Discontinued	59912590
4.4	O-ring, d 10.10x1.60 Discontinued	59905072
5.1	Sealing kit	59913313
5.2	Screw, M6x0.75 Discontinued	59913314
5.3	O-ring, 35x2.5	59905020
5.4	Gasket, 48x33.5x2	59902283
5.5	Supporting plate	59910008
5.9	Fixing set	59913479
5.10	Flexible pipe, M18x1,G3/8, L=650	59914036
5.11	Coupling pipe, M14x1, L=220 Discontinued	59914041
5.12	O-ring, 6x1.4	59913266
5.13	Gasket, 9.5x14.4x2	59912551
6	Spout Discontinued	59914040
6.2	Connection nipple	59914029
7	Pull-out spout	59914034
7.2	Non-return valve, DN8	59914030
7.3	Aerator, M22/M24 B	59905901
9	Hose, L=1400	59914032
9.1	Conversion nipple	59914028
9.2	Counterbalance	59914039
N.I.	Aerator, M18.5x1 HC TJ B, (2018-)	59914031