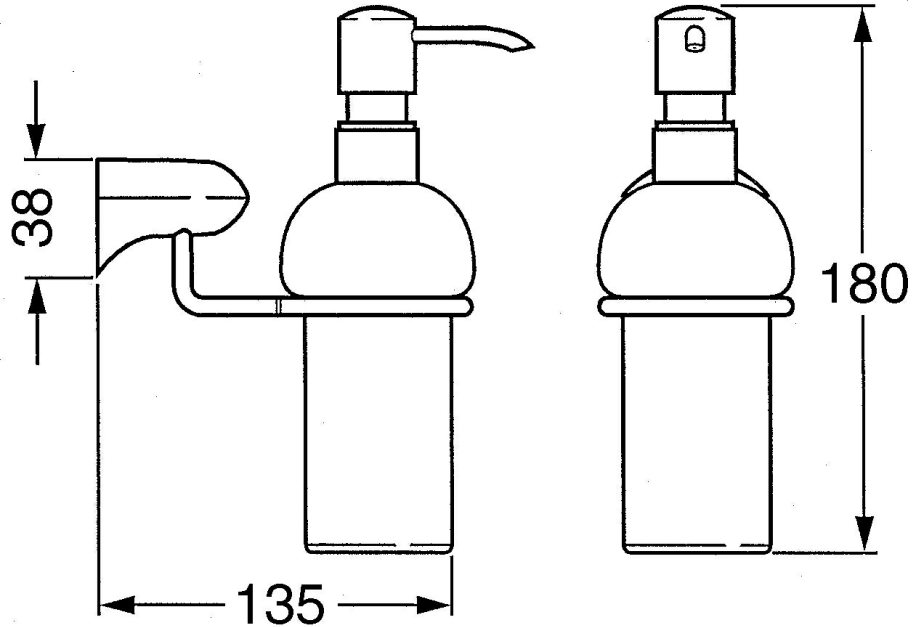


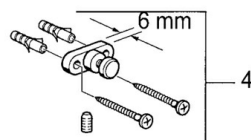
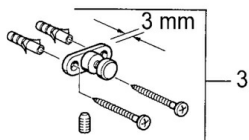
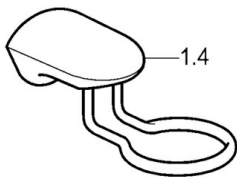
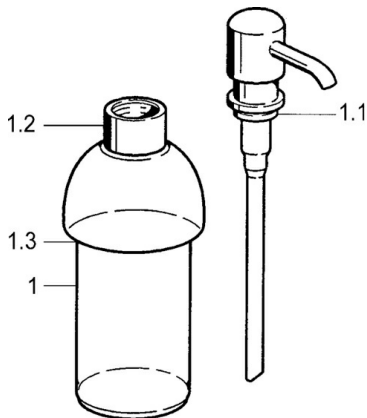
EAN: 4015474534148  
[static.hansa.com/0335090094](http://static.hansa.com/0335090094)

- Bathroom
- Accessories
- Wall mounted
- Edelmessing



### Technical data

### Spare parts



#### SP03350900

	Name	Code
1	Lotion dispenser Discontinued	59912698
1	Lotion dispenser Discontinued	59911530
1.1	Lotion dispenser, (2004-) Discontinued	59911824
1.1	Lotion dispenser Edelmessing Discontinued	59912701
1.2	Supply Discontinued	59912563
1.3	Support ring Discontinued	59911756
1.4	Wall bracket Discontinued	59912703
3	Fixing set Discontinued	59911646