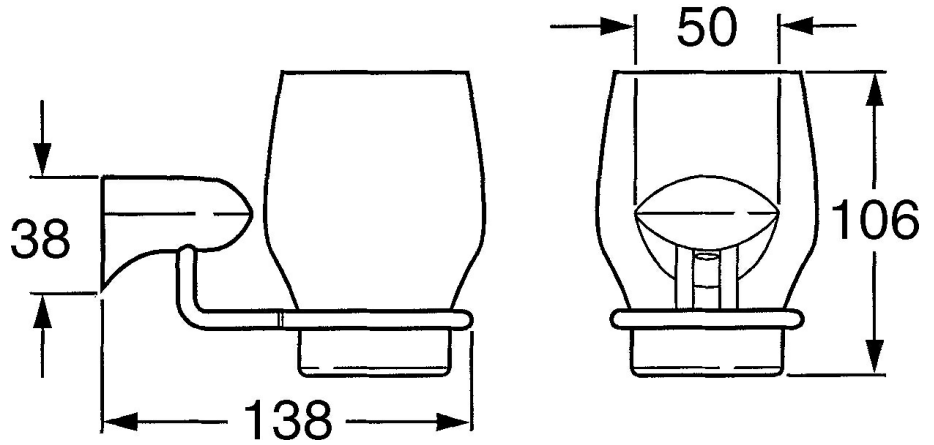


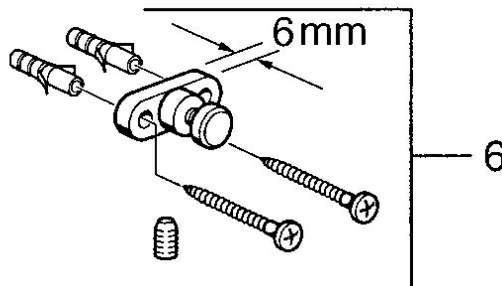
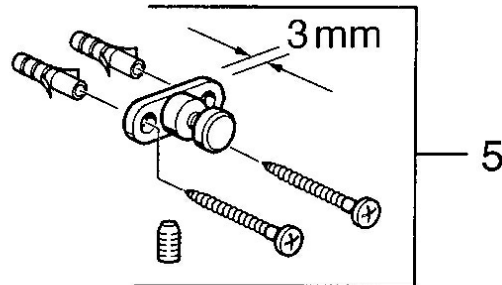
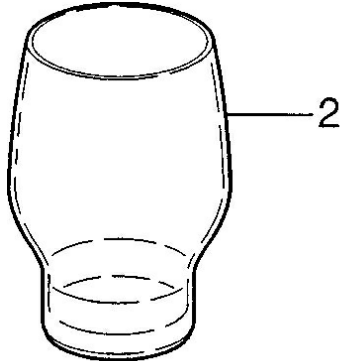
EAN: 4015474531772  
[static.hansa.com/0319090092](http://static.hansa.com/0319090092)

- Bathroom
- Accessories
- Wall mounted



### Technical data

### Spare parts



#### SP03190900

	Name	Code
2	Glass Transparent Discontinued	59911627
5	Fixing set Discontinued	59911646