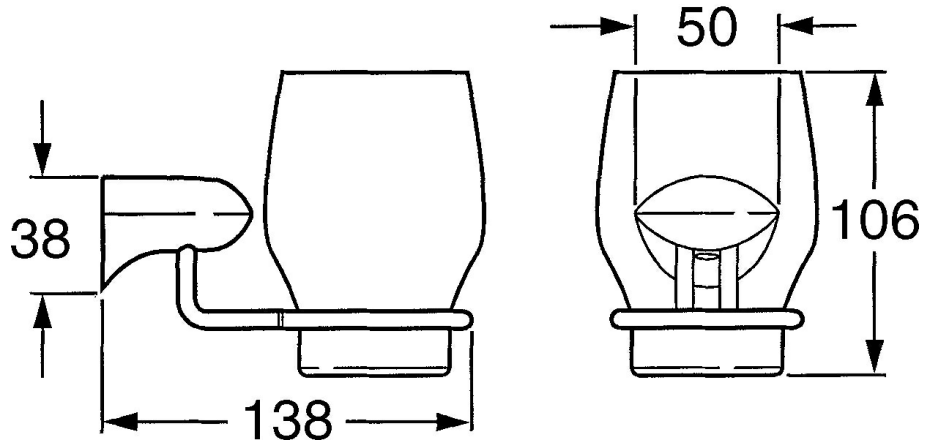


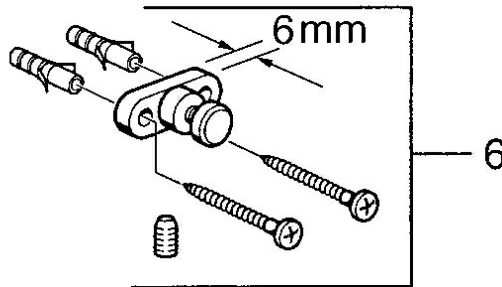
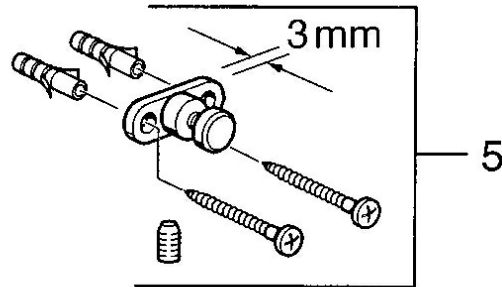
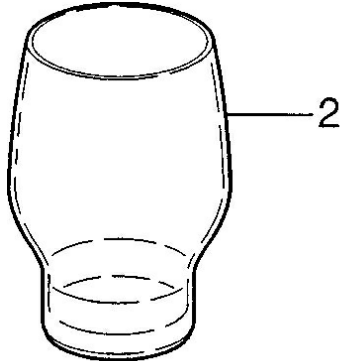
EAN: 4015474531802  
[static.hansa.com/0319090084](http://static.hansa.com/0319090084)

- Bathroom
- Accessories
- Wall mounted
- Black



### Technical data

### Spare parts



#### SP03190900

	Name	Code
2	Glass Transparent Discontinued	59911627
5	Fixing set Discontinued	59911646