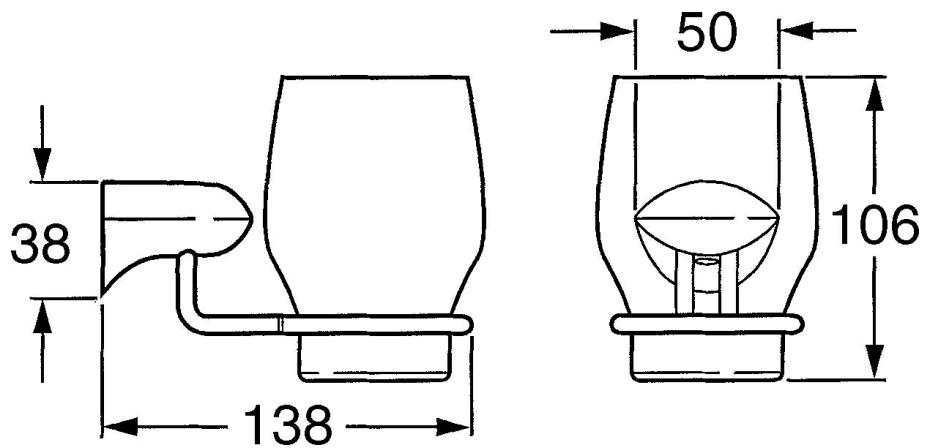


EAN: 4015474531734  
[static.hansa.com/03190900](http://static.hansa.com/03190900)

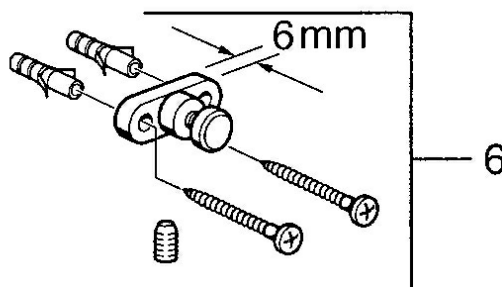
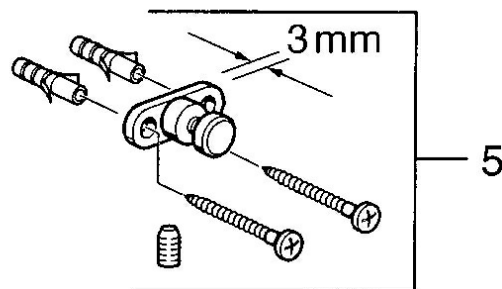
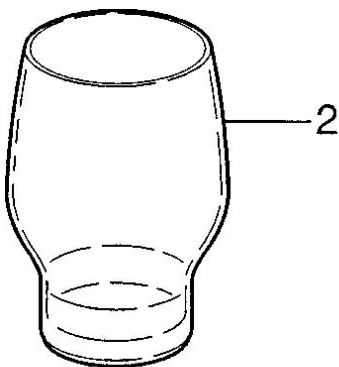


- Bathroom
- Accessories
- Wall mounted
- Chrome



### Technical data

### Spare parts



#### SP03190900

Name	Code
2 Glass Transparent Discontinued	59911627
5 Fixing set Discontinued	59911646