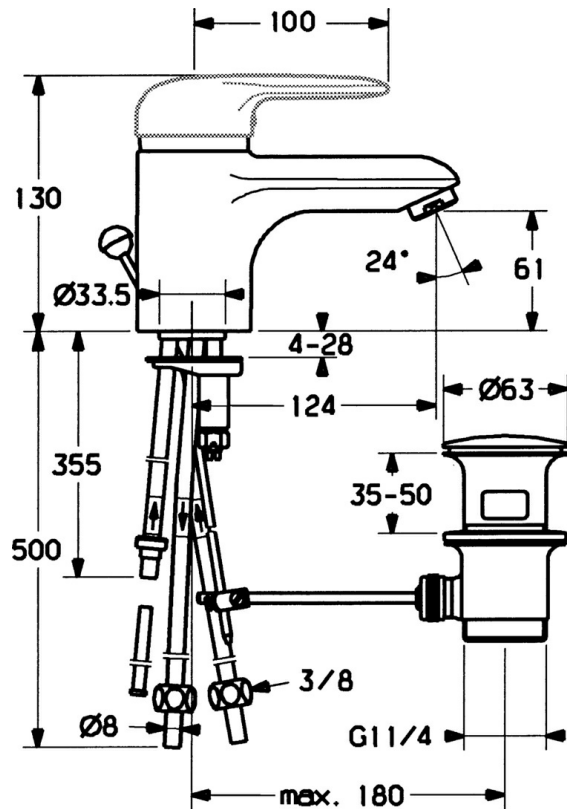
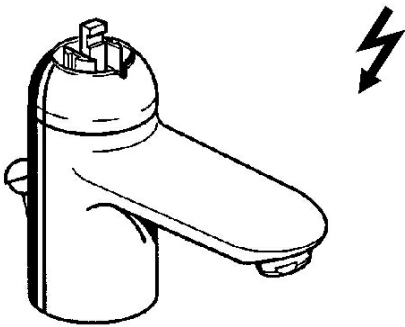


EAN: 4015474551480  
[static.hansa.com/03131100](http://static.hansa.com/03131100)



- Washbasin
- Single-lever, Low pressure
- Deck mounted
- Chrome
- Fixed spout
- Laminar stream, Standard aerator
- Single operating lever/handle, Hot/Cold symbols
- Pop-up waste with draw-rod
- Limitation option for maximum temperature and flow-rate, Adjustable hot water stop (included, retrofittable)
- $\varnothing$  48 mm ceramic eco cartridge for flow and temperature control
- Copper inlet pipes



## Technical data

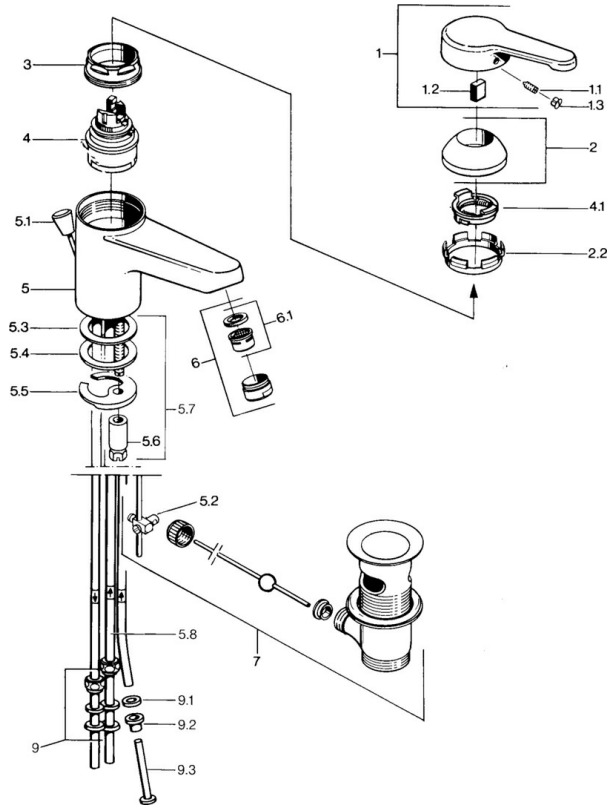
### Technical properties

DN-size (nominal dimension)	<b>DN15</b>
Hot water supply	<b>max. +80°C</b>
Working pressure	<b>0.5-5 bar</b>
Connection size	<b><math>\varnothing</math> 8 mm</b>
Projection	<b>124 mm</b>
Material	<b>Brass</b>

### Regulations

EN standard	<b>EN 817</b>
-------------	---------------

## Spare parts



### SP03131101

	Name	Code
1	Lever, L=99 mm, (-2011)	59913768
1.1	Screw, M5x8, SW2.5	59904755
1.2	Bushing	59904778
1.3	Plug, hot/cold	59906705
2	Covering cap	59906563
2.2	Fixing sleeve	59906695
3	Eye screw, M50x1, SW45	59904775
4	Cartridge, 4.8 eco	59904601
4.1	Hot water limiter	59904759
5.2	Swivel joint	59904624
5.3	O-ring, 42x3.5	59904764
5.4	Gasket, 48x33.5x2	59902283
5.5	Fixing plate	59904765
5.6	Screw, M8x1, SW13	59904766
5.7	Fixing set	59910749
6	Aerator, M24x1 A, low pressure	59902692
6	Aerator, M24x1 White	59905527
6.1	Aerator, M22/24, ND	59901553
7	Pop-up waste	59904620
7	Pop-up waste Edelmessing Discontinued	59906734
9	Fitting nut	59904969
9.1	Sealing kit, 14.9x8.5x1	59902352
9.2	Sealing kit, 10x8	59902272
9.3	Hose	59902151
N.I.	Washer with chain holder	59902219
N.I.	Plug	59906910