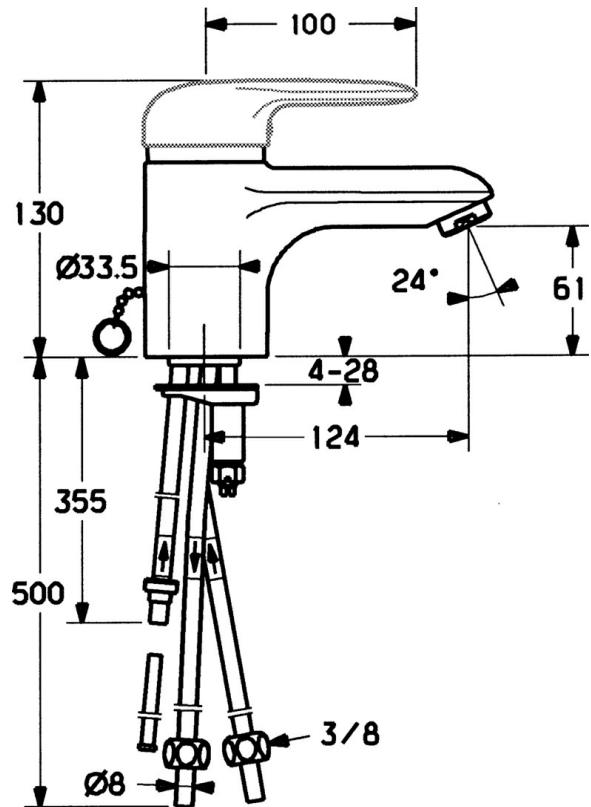


EAN: 4015474551541  
[static.hansa.com/03111100](http://static.hansa.com/03111100)



- Washbasin
- Single-lever, Low pressure
- Deck mounted
- Chrome
- Fixed spout
- Laminar stream
- Single operating lever/handle, Hot/Cold symbols
- Chain holder with chain
- Copper inlet pipes
- Without pop-up waste



## Technical data

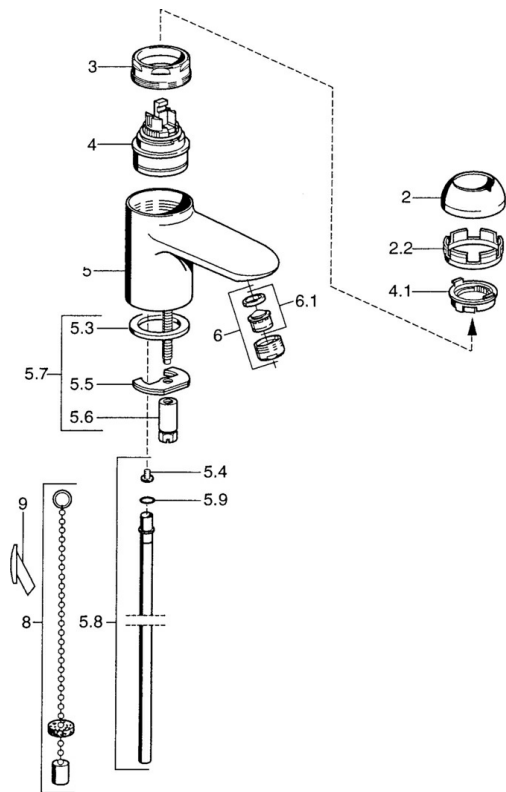
### Technical properties

|                             |                   |
|-----------------------------|-------------------|
| DN-size (nominal dimension) | <b>DN15</b>       |
| Hot water supply            | <b>max. +80°C</b> |
| Working pressure            | <b>0.5-5 bar</b>  |
| Connection size             | <b>Ø 8 mm</b>     |
| Projection                  | <b>124 mm</b>     |
| Material                    | <b>Brass</b>      |

### Regulations

|             |               |
|-------------|---------------|
| EN standard | <b>EN 817</b> |
|-------------|---------------|

## Spare parts



### SP03111100

|     | Name                           | Code     |
|-----|--------------------------------|----------|
| 2   | Covering cap                   | 59906563 |
| 2.2 | Fixing sleeve                  | 59906695 |
| 3   | Eye screw, M50x1, SW45         | 59904775 |
| 4   | Cartridge, 4.8 eco             | 59904601 |
| 4.1 | Hot water limiter              | 59904759 |
| 5.3 | O-ring, 42x3.5                 | 59904764 |
| 5.5 | Fixing plate                   | 59904765 |
| 5.6 | Screw, M8x1, SW13              | 59904766 |
| 5.7 | Fixing set                     | 59910749 |
| 6   | Aerator, M24x1 A, low pressure | 59902692 |
| 6.1 | Aerator, M22/24, ND            | 59901553 |
| 8   | Washer with chain holder       | 59902219 |
| 8.1 | Plug                           | 59906910 |
| 9   | Fitting nut                    | 59904969 |
| 9.1 | Sealing kit, 14.9x8.5x1        | 59902352 |
| 9.2 | Sealing kit, 10x8              | 59902272 |
| 9.3 | Hose                           | 59902151 |