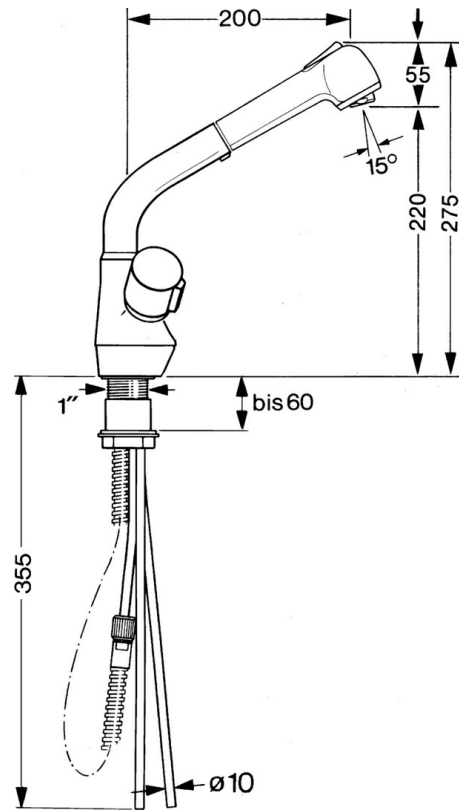


EAN: 4015474583948
static.hansa.com/03102186



- Washbasin
- Two-grip
- Deck mounted
- Chrome
- Swivel spout, Pull-out model
- Two operating levers/handles
- Non-return valve(s)
- protected against back-flow in domestic use (according to DIN EN 1717)

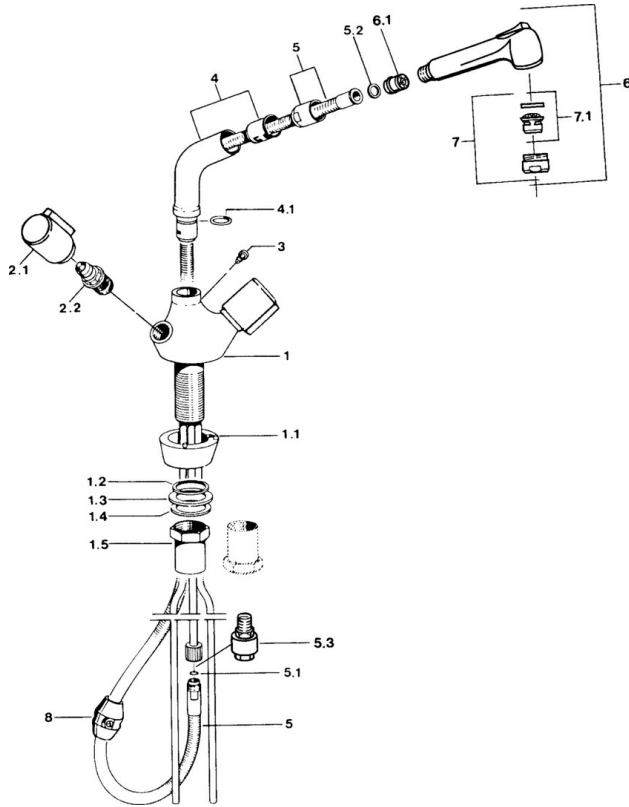


Technical data

Technical properties

Hot water supply	max. +80°C
Working pressure	0.5-10 bar
Backflow prevention (EN1717)	EB
Material	Brass/Plastic

Spare parts



SP03102186

	Name	Code
1.1	Support ring Discontinued	59905570
1.2	Gasket, 41.5x33.3x2	59902295
1.3	Gasket, 48x33.5x2	59902283
1.4	Bearing ring	59904893
1.5	Screw, R1 Discontinued	59904894
2.1	Handle, hot	59906465
2.1	Handle, cold	59906464
2.2	Headpart, G1/2	59905114
3	Fixing screw, M6 Discontinued	59904942
4.1	O-ring, 18x2.5	59902342
5	Hose, L=1500, G1/2-M14x1	59905067
5.1	O-ring, 7.10x1x6 Discontinued	59905068
5.2	Gasket, 18.5/12x2 Discontinued	59905070
5.3	Nipple Discontinued	59910801
6	Hand shower Discontinued	59910209
6	Pull-out spout	59912722
6.1	Non-return valve	59905714
7	Aerator, M24x1 STD HC B	59905830
7.1	Aerator, M22/M24 B	59905901
8	Counterbalance	59905891