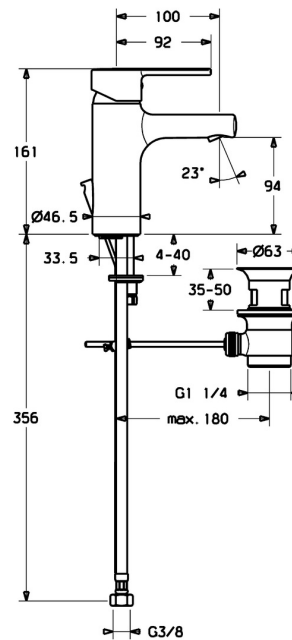
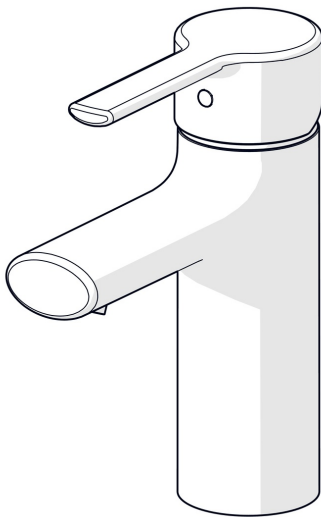


EAN: 4015474212541  
[static.hansa.com/03092273](https://static.hansa.com/03092273)



- Washbasin
- Single-lever
- Deck mounted
- Chrome
- Fixed spout
- PCA® - constant flow rate regardless of pressure variations, Hidden aerator
- Hot/Cold symbols, Single operating lever/handle
- Pop-up waste with draw-rod
- Limitation option for maximum temperature and flow-rate, Adjustable hot water stop (included, retrofittable)
- $\varnothing$  35 mm ceramic cartridge for flow and temperature control
- Flexible inlet pipes
- Inner body made of DZR brass, Rapid installation system



## Technical data

### Flow properties

Flow-rate at 3 bar (with flow controller) **6.0 l/min**

### Technical properties

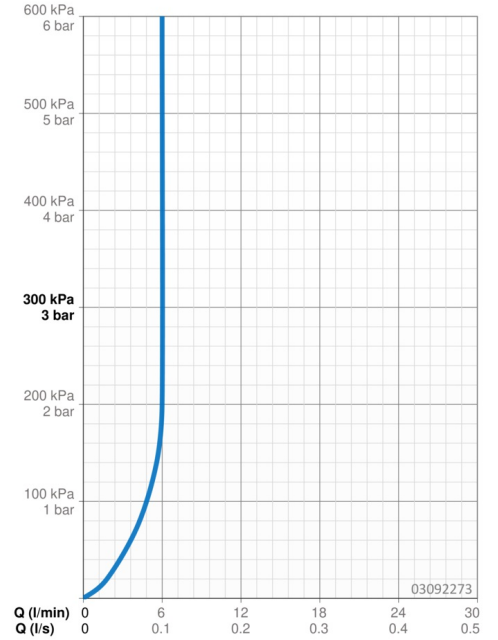
DN-size (nominal dimension) **DN15**  
 Hot water supply **max. +70°C**  
 Working pressure **0.5-10 bar**  
 Connection size **G3/8**  
 Projection **100 mm**  
 Backflow prevention (EN1717) **AA**  
 Material **Brass**

### Regulations

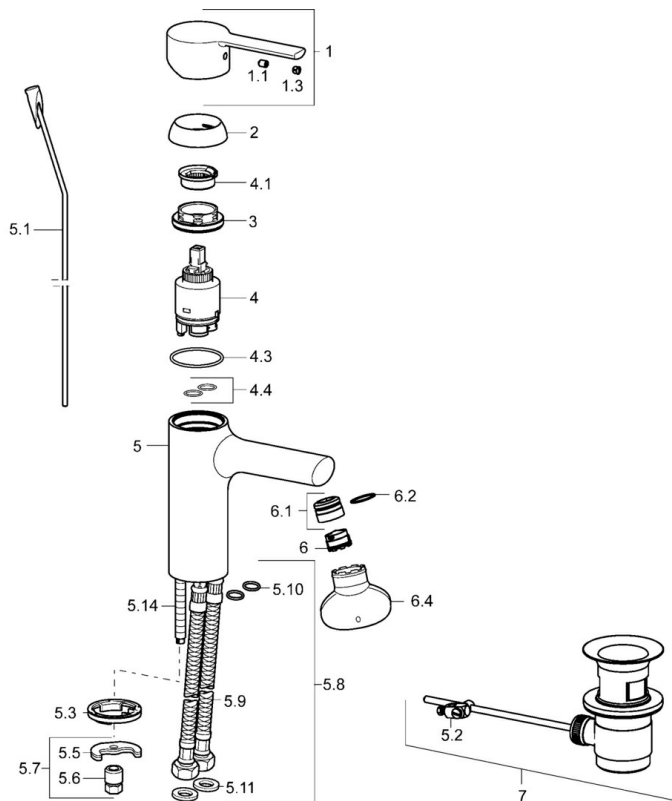
EN standard **EN 817**  
 Noise class **I (ISO 3822)**

### Approvals and Declarations

KIWA **K6116/08**  
 DVGW **NW-6506CN0310**  
 ABP **PA-IX 38216/IO**  
 Declaration of conformity **DoC**



## Spare parts



### SP03092273

	Name	Code
1	Lever	59913761
1.1	Screw, M5x8, SW2.5	59904755
1.3	Cover plug	59913762
2	Covering cap, 33x3 mm	59912504
3	Tightening nut, M40x1	1003409V
4	Cartridge, 3.5 Eco	59912324
4	Cartridge, 3.5 Classic	59913075
4.1	Temperature adjustment limiter	59912325
4.3	O-ring, d 28.24x2.62 Discontinued	59912590
4.4	O-ring, d 10.10x1.60 Discontinued	59905072
5.1	Pop-up operating rod	59913652
5.2	Swivel joint	59904624
5.3	Bottom seal	59914591
5.5	Fixing plate	59904765
5.6	Screw, M8x1, SW13	59904766
5.7	Fixing set	59910749
5.8	Flexible pipe, L=430, G3/8-M10x1 RH Discontinued	59913213
5.9	Flexible pipe, L=430, G3/8-M10x1	59912515
5.10	O-ring, d 7.65x1.78	59902337
5.11	Gasket, 9.5x14.4x2	59912551
5.14	Fixing screw, M8x1, L=140	59912474
6	Aerator, M18.5x1, TJ	59913366
6.1	Fitting ring for aerator	59913654
6.4	Key for aerator, M18.5	59913367
7	Pop-up waste	59904620
N.I.	Key, SW30/34	59912108
N.I.	Cover flange, d 55 mm	59913471