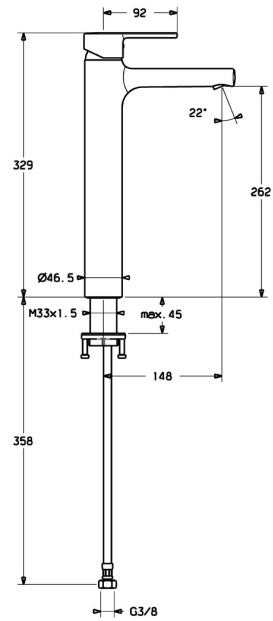
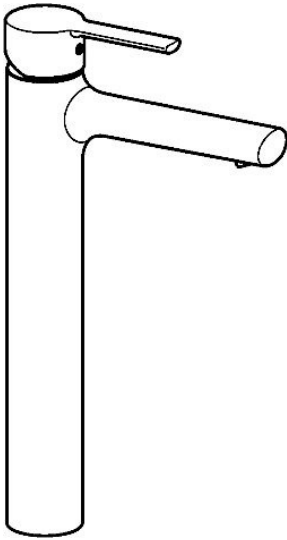


EAN: 4015474212701
static.hansa.com/03032273



- Washbasin
- Single-lever
- Deck mounted
- Chrome
- Fixed spout
- PCA® - constant flow rate regardless of pressure variations, Hidden aerator
- Single operating lever/handle, Hot/Cold symbols
- Limitation option for maximum temperature and flow-rate, Adjustable hot water stop (included, retrofittable)
- \varnothing 35 mm ceramic cartridge for flow and temperature control
- Flexible inlet pipes
- Inner body made of DZR brass
- Without pop-up waste, Without draw-rod opening

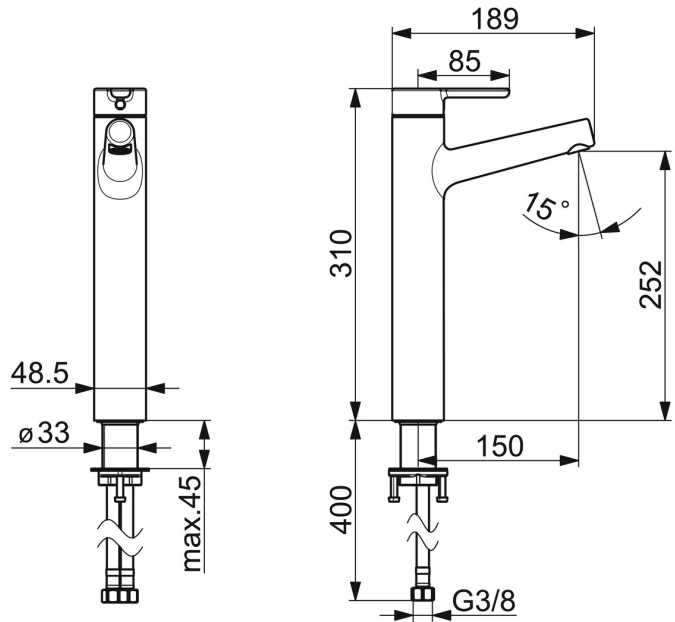
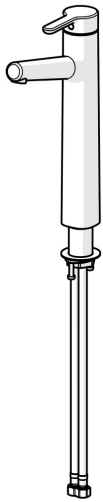


EAN: 4057304006371
static.hansa.com/51692283



one-hole single-lever basin mixer, DN 15

- Washbasin
- Single-lever
- Deck mounted
- Chrome
- Fixed spout
- PCA® - constant flow rate regardless of pressure variations, Hidden aerator
- Hot/Cold symbols, Single operating lever/handle
- Limitation option for maximum temperature and flow-rate, Adjustable hot water stop (included, retrofittable)
- \varnothing 40 mm ceramic cartridge for flow and temperature control
- Flexible inlet pipes
- Inner body made of DZR brass
- Without pop-up waste, Without draw-rod opening
- for washbowls



Technical data

Flow properties

Flow-rate at 3 bar (with flow controller)	6.0 l/min
Pressure loss with flow (0.1 l/s)	1 bar

Technical properties

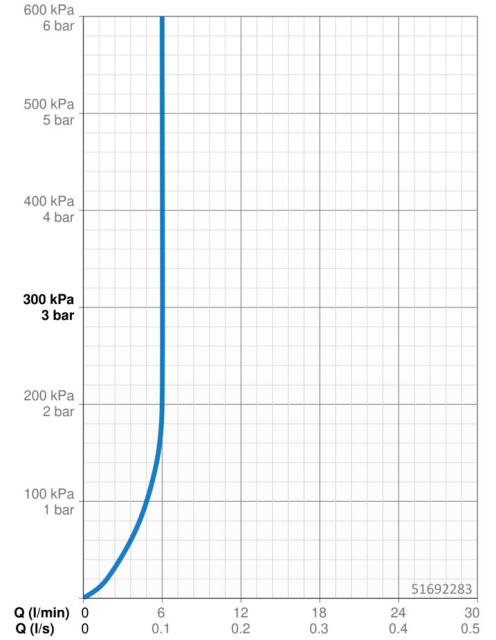
DN-size (nominal dimension)	DN15
Hot water supply	max. +70°C
Working pressure	0.5-10 bar
Connection size	G3/8
Projection	150 mm
Backflow prevention (EN1717)	AA
Material	Brass

Regulations

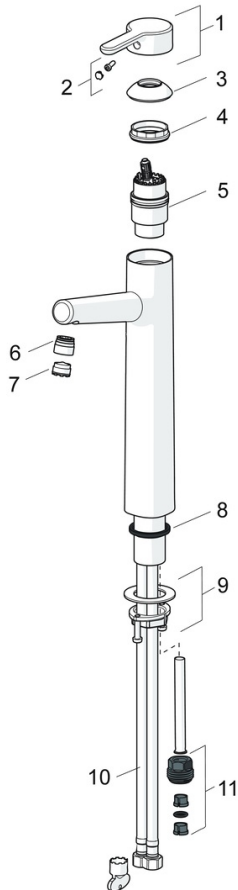
EN standard	EN 817
Noise class	I (ISO 3822)

Approvals and Declarations

DVGW	DW-6506DL0547
Declaration of conformity	DoC



Spare parts



SP51692283

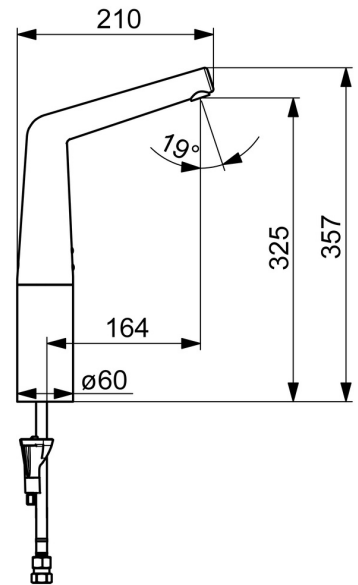
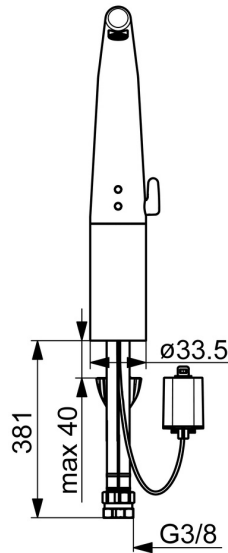
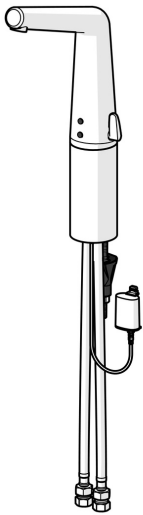
	Name	Code
01	Lever	59914574
02	Symbol plug	59914573
03	Covering cap	59914649
04	Tightening nut, M42x1.5, SW 38	59914128
05	Cartridge, 4.0 Classic	59914129
06	Fitting ring for aerator	59914645
07	Aerator, M18.5x1, TJ	59913366
08	Bottom seal	59914650
09	Fixing set	59913371
10	Flexible pipe, L=620, G3/8-M10x1	59914289

EAN: 4057304006616
static.hansa.com/51942201



electronic basin faucet, DN 15

- Washbasin
- Touchless, Battery-operated, Bluetooth®
- Deck mounted
- Chrome
- Fixed spout
- Hidden aerator
- Temperature control handle
- Adjustable hot water stop (included, retrofittable)
- Mixing valve for manual temperature control, Non-return valve(s), Litter filter(s)
- Autofocus infrared sensor, Solenoid valve, Low battery indicator
- Flexible inlet pipes
- Inner body made of DZR brass, 3S-installation system for safe and simple mounting, Software settings adjustable via App
- Without pop-up waste, Without draw-rod opening



Technical data

Flow properties

Flow-rate at 3 bar (with flow controller)	6.0 l/min
Pressure loss with flow (0.1 l/s)	2 bar

Technical properties

DN-size (nominal dimension)	DN15
Hot water supply	max. +70°C
Working pressure	1-10 bar
Connection size	G3/8
Projection	164 mm
Backflow prevention (EN1717)	AA
Material	Brass

Software settings

Afterflow period	3 s (1-20 s)
Automatic flush	off (off/1-120 h)
Automatic flush period	30 s (1-1800 s)
Max. flow period	2 min (1 - 1800 s)

Electronic properties

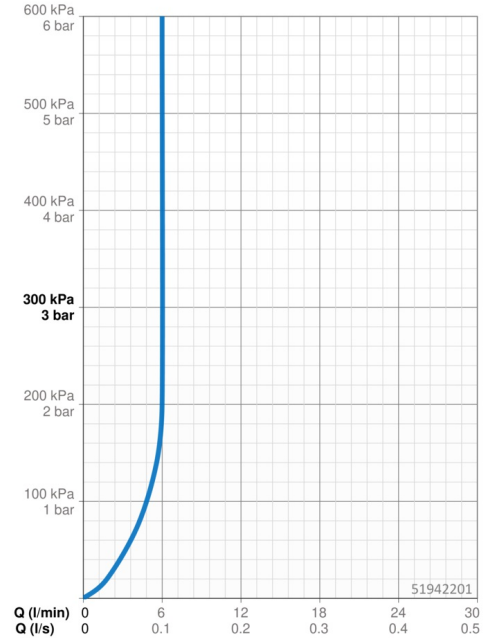
Battery	Lithium 2CR5 6 V
Bluetooth version	4.x (D034445)

Regulations

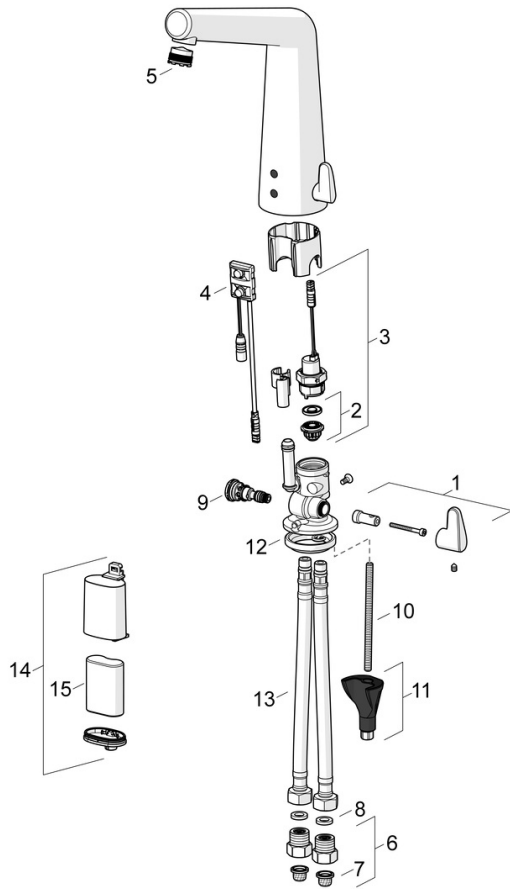
EU Directives	C € Radio Equipment Directive 2014/53/EU , Low Voltage Directive 2014/35/EU , EMC Directive 2014/30/EU , RoHS Directive 2011/65/EU
EN standard	EN 15091, ETSI EN 301 489-1 V1.9.2 , ETSI EN 300 328 v2.2.2 , EN 61000-6-1:2007 , EN 61000-6-3:2007+A1:2011+AC:2012 , EN 60335-1:2012+A11+A13+A14+A15:2021, Part 19.11.4
Protection class	IP 55

Approvals and Declarations

DVGW	CW-6514CR0161
UN38.3	UN38-3 Maxell 2CR5
Declaration of conformity	RED



Spare parts



SP51942201

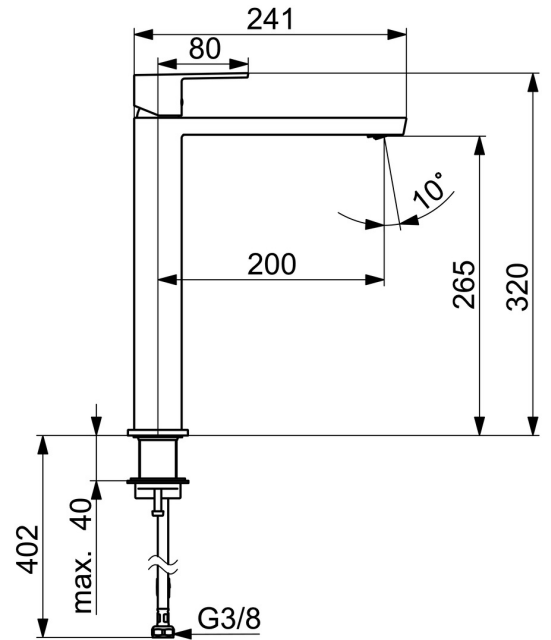
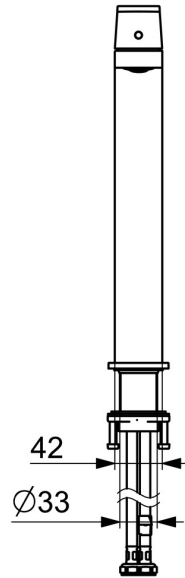
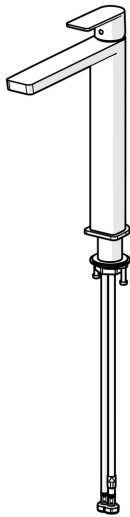
	Name	Code
01	Temperature control handle	59914568
02	Membrane for solenoid valve	1006500V
02	Membrane support ring Discontinued	59914090
03	Solenoid valve, 6 V	59914091
04	Sensor, 6/9/12 V, Bluetooth	59914567
05	Aerator and key, M18.5x1	59914592
06	One-way valve with litter screen	59914086
07	Litter filters	59914085
08	Gasket, 8x14.3x2	59914087
09	Temperature regulator	59914089
10	Fixing screw, M8x1, L=250 Discontinued	59914726
11	Fixing set	59914475
12	Bottom seal	59914591
13	Flexible pipe, L=500, G3/8-M10x1 Discontinued	59914594
14	Battery casing	59914154
15	Battery, 2CR5 6 V	59911670
N.I	Limiter	59914106

EAN: 4057304015205
static.hansa.com/57102273



Introducing this high washbasin faucet from the Stela design line as the perfect new edgy addition to your bathroom. Its chrome surface treatment adds a touch of elegance to any washbasin. The single-operating lever with hot and cold symbols and fixed spout make it easy to use. The inner body is made of corrosion resistant brass, ensuring durability and longevity. This deck-mounted faucet is perfect for any washbasin installation. Upgrade your bathroom with this timeless elegance for any bathroom design.

- Washbasin
- Single-lever
- Deck mounted
- Chrome
- Fixed spout
- PCA® - constant flow rate regardless of pressure variations, Adjustable flow angle
- Single operating lever/handle, Hot/Cold symbols
- \varnothing 25 mm ceramic cartridge for flow and temperature control
- Flexible inlet pipes
- Inner body made of DZR brass
- Without pop-up waste



Technical data

Flow properties

Flow-rate at 3 bar (with flow controller) **4.8 l/min**

Technical properties

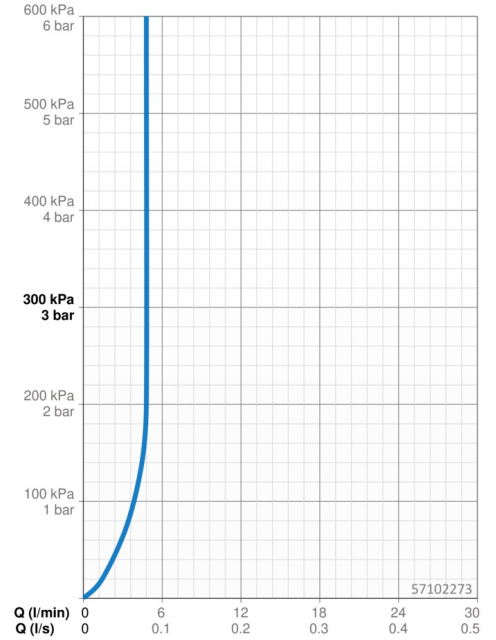
Hot water supply **max. +70°C**
 Working pressure **0.5-10 bar**
 Connection size **G3/8**
 Projection **200 mm**
 Backflow prevention (EN1717) **AA**
 Material **Brass**

Regulations

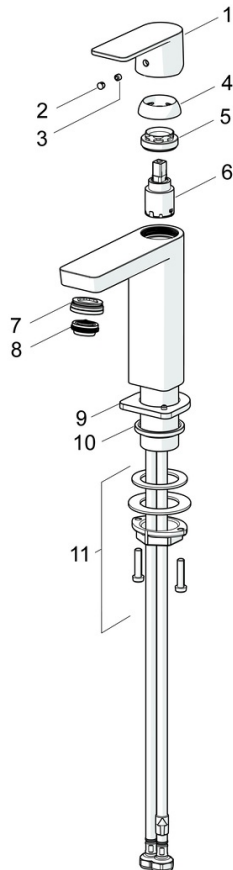
EN standard **EN 817**
 Noise class **I (ISO 3822)**

Approvals and Declarations

ABP **PA-IX 38025/10**
 Declaration of conformity **DoC**
 EPD **S-P-06391**



Spare parts



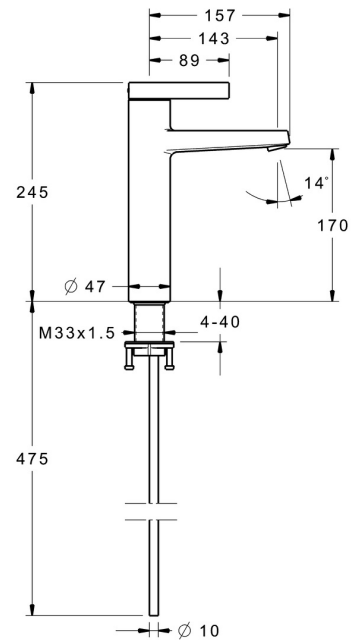
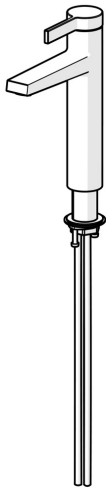
SP57102273

	Name	Code
1	Lever	1006412V
2	Cover plug	59913762
3	Screw, M5x8, SW2.5	59904755
4	Covering cap	59913957
5	Tightening nut, M32x1, SW24	59913958
6	Cartridge, 2.5	59913914
7	Fitting ring for aerator, M24x1, SW17, (2019-)	59914744
8	Aerator, M24x1 HC SSR-STD	59914015
9	Cover flange	1006394V
10	Bottom seal	59914650
11	Fixing set	59913371

EAN: 4015474263512
static.hansa.com/57562103



- Washbasin
- Single-lever
- Deck mounted
- Chrome
- Fixed spout
- PCA® - constant flow rate regardless of pressure variations, Hidden aerator
- Hot/Cold symbols, Single operating lever/handle
- Adjustable hot water stop (included, retrofittable)
- \varnothing 35 mm ceramic cartridge for flow and temperature control
- Flexible inlet pipes
- Inner body made of DZR brass
- Without pop-up waste, Without draw-rod opening
- for flat countertop washbasins



Technical data

Flow properties

Flow-rate at 3 bar (with flow controller)	6.0 l/min
Pressure loss with flow (0.2 l/s)	2 bar

Technical properties

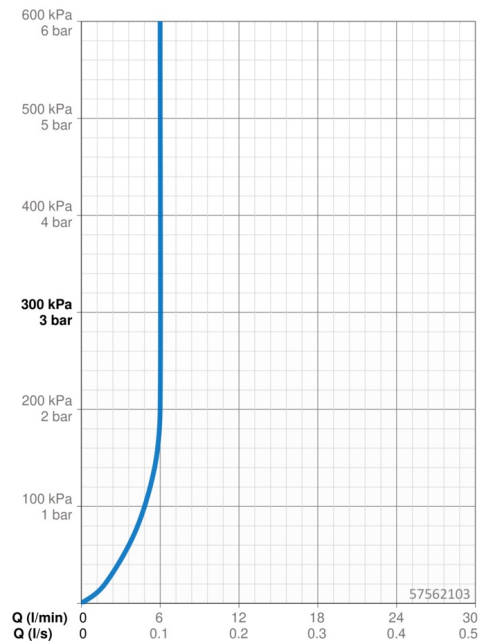
DN-size (nominal dimension)	DN15
Hot water supply	max. +70°C
Working pressure	0.5-10 bar
Connection size	G3/8
Projection	143 mm
Backflow prevention (EN1717)	AA
Material	Brass

Regulations

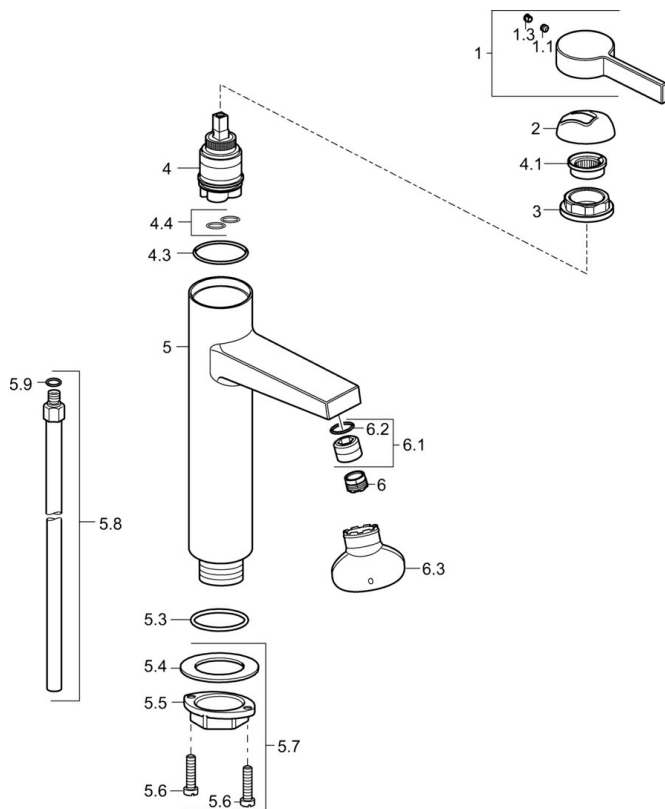
EN standard	EN 817
-------------	---------------

Approvals and Declarations

Declaration of conformity	DoC
EPD	S-P-06391



Spare parts



SP57562103

	Name	Code
1	Lever	59914017
1.1	Screw, M5x6, SW2.5	59912617
1.3	Cover plug	59913762
2	Covering cap	59914016
3	Screw, M42x1, SW34	59913365
4	Cartridge, 3.5 Eco	59912324
4	Cartridge, 3.5 Classic	59913075
4.1	Temperature adjustment limiter	59912325
4.3	O-ring, d 28.24x2.62 Discontinued	59912590
4.4	O-ring, d 10.10x1.60 Discontinued	59905072
5.3	O-ring, d 36.09x d 3.53	59913396
5.7	Fixing set	59913371
5.8	Pipe, M10x1640 Discontinued	59913372
5.9	O-ring, d 7.65x1.78	59902337
6	Aerator, M18.5x1, TJ	59913366
6.1	Fitting ring for aerator	59913654
6.3	Key for aerator, M18.5	59913367
N.I.	Key, SW30/34	59912108