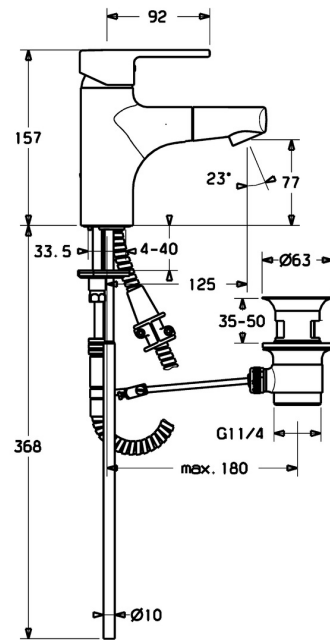
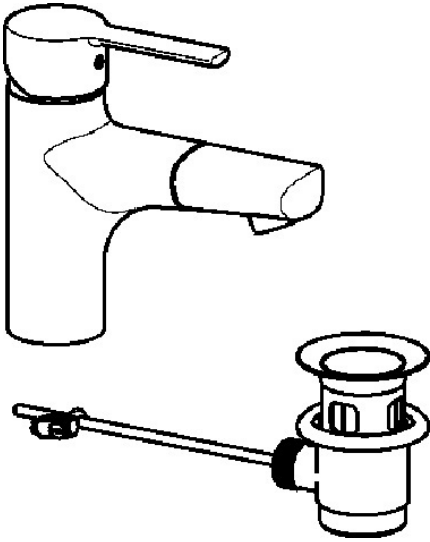


EAN: 4015474228504
static.hansa.com/03012173



- Washbasin
- Single-lever
- Deck mounted
- Chrome
- Fixed spout, Pull-out model
- Hidden aerator
- Hot/Cold symbols, Single operating lever/handle
- Pop-up waste with draw-rod
- Limitation option for maximum temperature and flow-rate, Adjustable hot water stop (included, retrofittable)
- Non-return valve(s), \varnothing 35 mm ceramic cartridge for flow and temperature control
- Copper inlet pipes
- Inner body made of DZR brass
- protected against back-flow in domestic use (according to DIN EN 1717)



Technical data

Flow properties

Flow-rate at 3 bar **13.2 l/min**

Technical properties

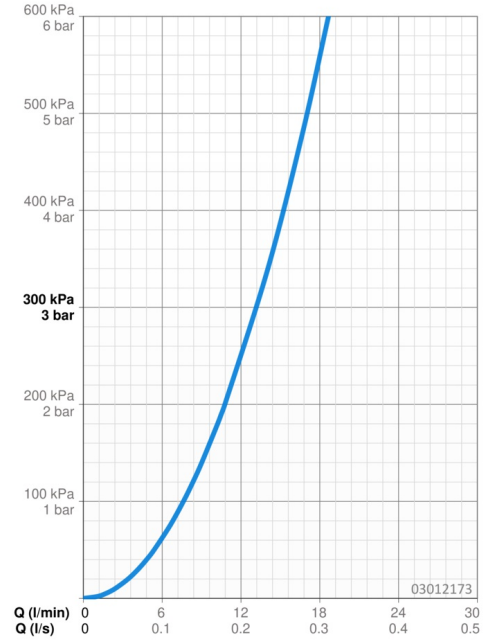
DN-size (nominal dimension) **DN15**
 Hot water supply **max. +80°C**
 Working pressure **0.5-10 bar**
 Connection size **Ø 10 mm**
 Projection **125 mm**
 Backflow prevention (EN1717) **EB**
 Material **Brass**

Regulations

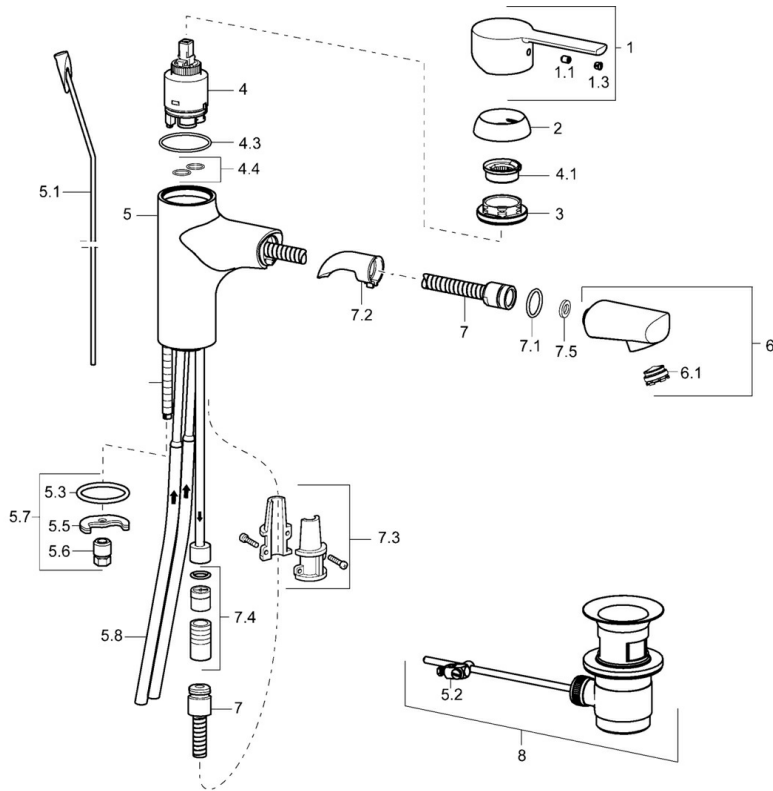
EN standard **EN 817**
 Noise class **I (ISO 3822)**

Approvals and Declarations

ABP **P-IX 10133/IA**
 Declaration of conformity **DoC**



Spare parts



SP03012173

	Name	Code
1	Lever	59913761
1.1	Screw, M5x8, SW2.5	59904755
1.3	Cover plug	59913762
2	Covering cap, 33x3 mm	59912504
3	Tightening nut, M40x1	1003409V
4	Cartridge, 3.5 Eco	59912324
4	Cartridge, 3.5 Classic	59913075
4.1	Temperature adjustment limiter	59912325
4.3	O-ring, d 28.24x2.62 Discontinued	59912590
4.4	O-ring, d 10.10x1.60 Discontinued	59905072
5.1	Pop-up operating rod	59913652
5.2	Swivel joint	59904624
5.3	O-ring, d 36.09x d 3.53	59913396
5.5	Fixing plate	59904765
5.6	Screw, M8x1, SW13	59904766
5.7	Fixing set	59910749
5.8	Pipe Discontinued	59913764
6	Pull-out spout	59912814
6.1	Aerator, M24x1 A, 8 l/min	59913130
7	Hose, L=1200, M15x1	59912815
7.1	O-ring, d 16x2	59906703
7.2	Passing-through bushing	59911625
7.3	Retainer	59906600
7.4	Non-return valve, M16x1/M14x1	59913418
7.5	Gasket, 9.5x14.4x2	59912551
8	Pop-up waste	59904620
N.I.	Key, SW30/34	59912108
N.I.	Key for aerator, M24x1	59913134