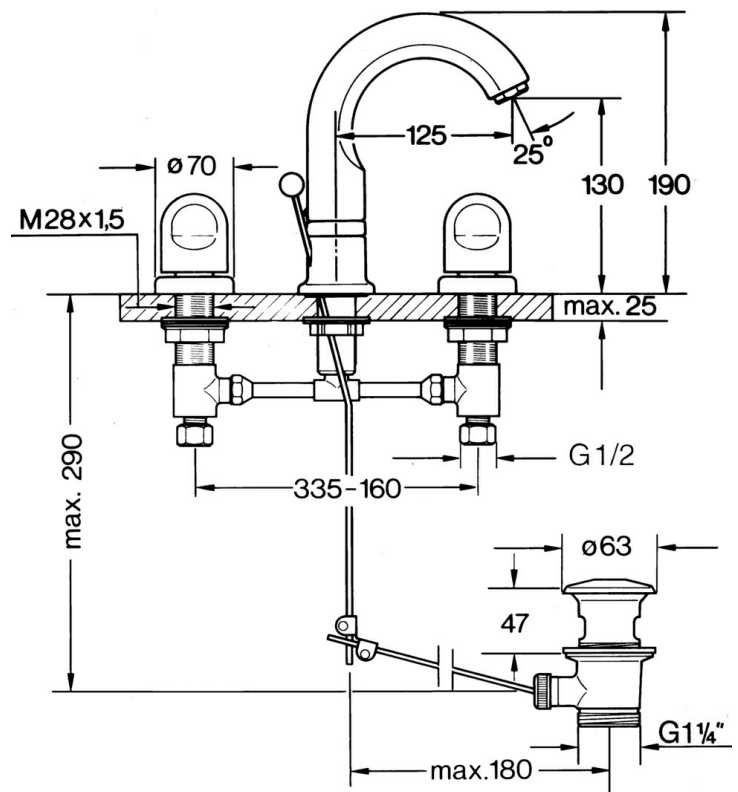


EAN: 4015474639799
static.hansa.com/02982105



- Washbasin
- Two-grip
- Deck mounted
- Chrome



Technical data

Technical properties

| | |
|------------------|------------|
| Hot water supply | max. +80°C |
| Working pressure | 0.5-10 bar |
| Material | Brass |

Spare parts

SP02982105

| | Name | Code |
|-----|--|-------------|
| 1.1 | O-ring, 32x2.5 Discontinued | 59910233 |
| 1.2 | Limiter Discontinued | 59910534 |
| 1.3 | Fixing nut kit | 59910705 |
| 2.1 | Fixing bolt, M4 Discontinued | 59910234 |
| 2.2 | Aerator, M24x1 STD CC A Edelmessing Discontinued | 59906580 |
| 2.2 | Aerator, M24x1 STD HC A | 59902366 |
| 2.3 | Aerator, M22/24 A | 59902081 |
| 3 | T-connector | 59910687 |
| 3.1 | O-ring, d 11x2 Discontinued | 59910686 |
| 4.2 | Sealing kit Discontinued | 59910707 |
| 4.3 | Cramping connector | 59905061 |
| 4.4 | Headpart, G1/2 | 59905114 |
| 4.5 | Adapter White | 59910235 |
| 5 | Cover flange White Discontinued | 59910096 |
| 5 | Cover flange, d 70 mm | 59910094 |
| 5 | Cover flange Chrome/Satin Discontinued | 59910095 |
| 7 | Disk, M24x1.5 | 59910159 |
| 8 | Handle | 59910363 |
| 9 | Pop-up waste | 59904620 |
| 9 | Pop-up waste Edelmessing Discontinued | 59906734 |
| 9.1 | Swivel joint | 59904624 |
| 9.2 | Pop-up operating rod Discontinued | 59912022 |