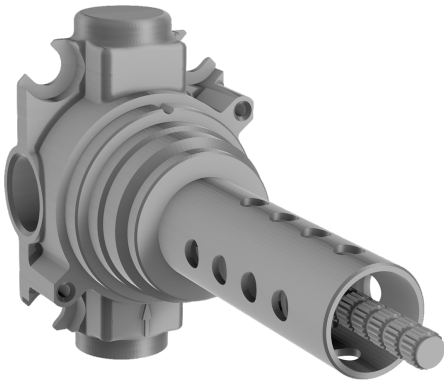
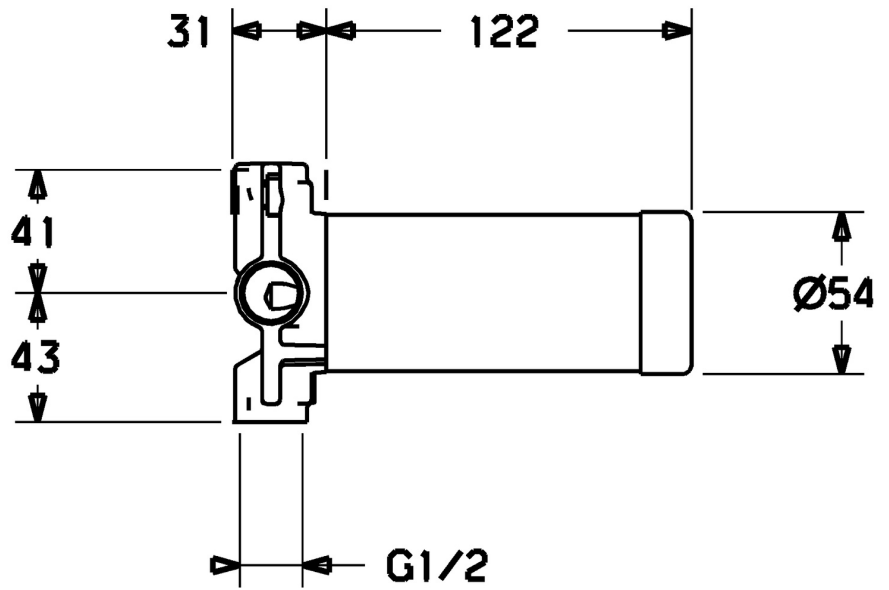
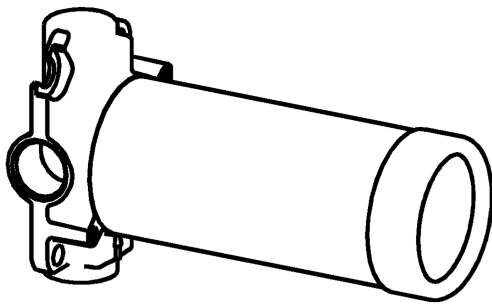


EAN: 4015474186477
static.hansa.com/02950100



- Accessories
- Concealed unit
- Concealed wall mounting
- Integrated into flow control handle
- Ceramic head part for flow control
- Inner body made of DZR brass



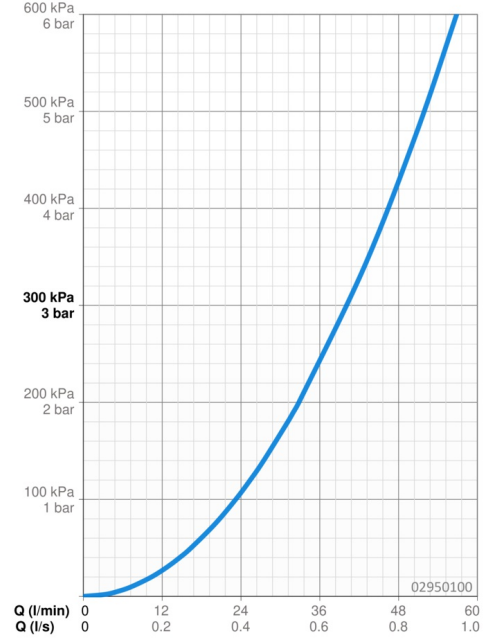
Technical data

Flow properties

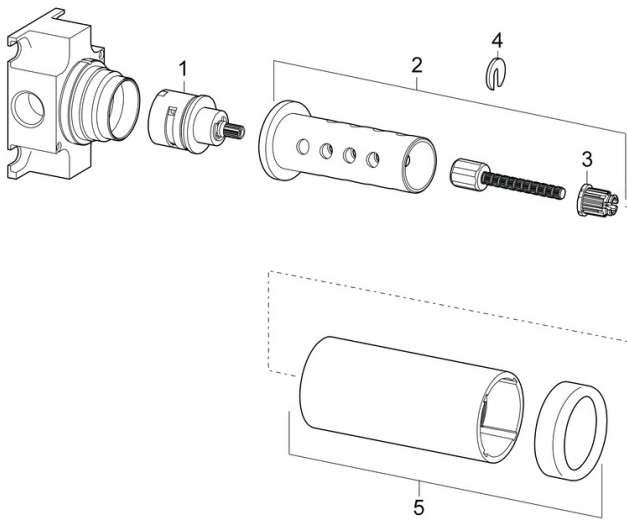
Flow-rate at 3 bar **40.2 l/min**

Technical properties

DN-size (nominal dimension) **DN15**
 Hot water supply **max. +80°C**
 Working pressure **1-10 bar**
 Connection size **G1/2**



Spare parts



SP02950100

	Name	Code
01	Diverter	59913468
02	Screw, (2011-)	59913758
03	Adapter White	59910235
04	Ring	59910694
05	Cover sleeve	59911745