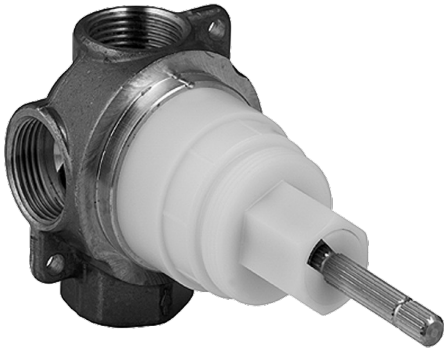
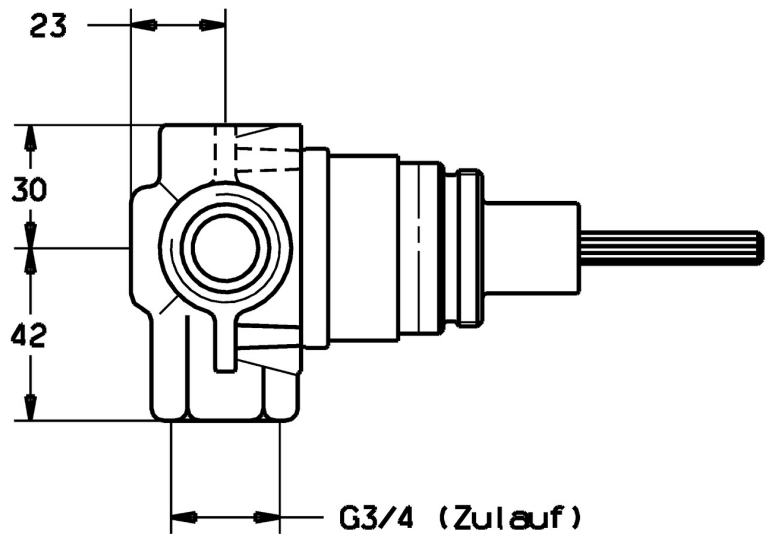
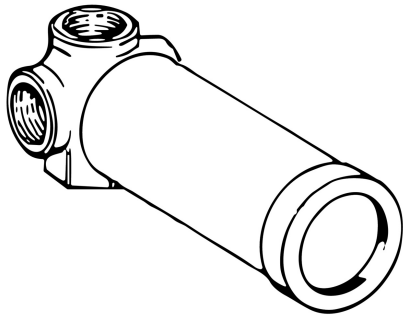


EAN: 4015474676855  
[static.hansa.com/02850100](https://static.hansa.com/02850100)



- Accessories
- Concealed unit
- Concealed wall mounting
- Turn operated diverter
- Direct connection, Internal thread
- Inner body made of DZR brass
- Without trim kit
- 3 outlets 3/4" female thread



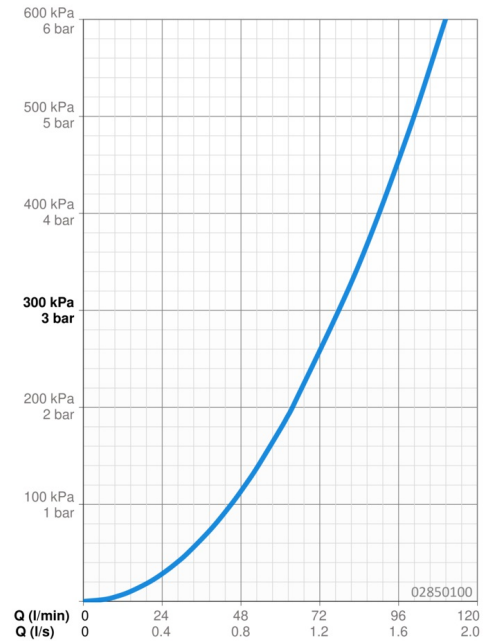
## Technical data

### Flow properties

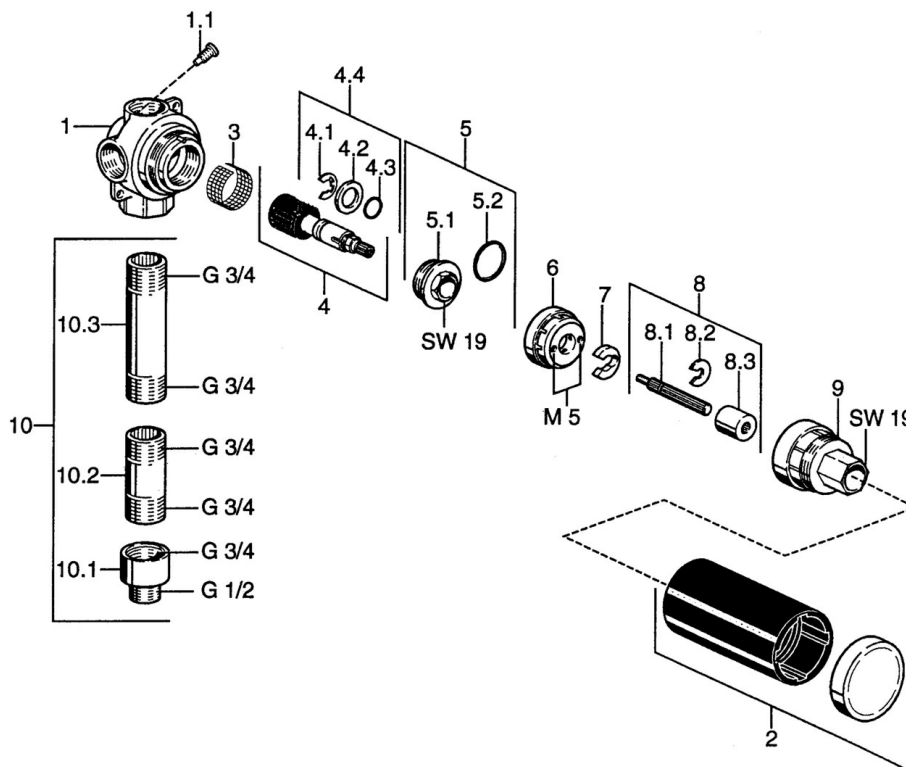
Flow-rate at 3 bar **78.0 l/min**

### Technical properties

DN-size (nominal dimension) **DN20**  
 Hot water supply **max. +80°C**  
 Working pressure **1-10 bar**  
 Connection size **G3/4**  
 Material **Brass**



## Spare parts



### SP02850100

	Name	Code
1.1	Fixing screw, M6x12, AF2.5	59904804
2	Cover sleeve	59911745
3	Strainer	59910074
4	Diverter	59911746
4.4	Fixing set	59910076
5	Screw	59910077
5.2	O-ring, d 23.5x1.78	59905101
6	Conic sleeve	59911747
7	Retainer ring	59911748
8	Spindle	59911749
8.2	Ring	59910694
8.3	Adapter	59912318
9	Inner sleeve	59911750
10.1	Adapter, G3/4xG1/2 Discontinued	59911751
10.2	Thread nipple, 60 mm Discontinued	59911752
10.3	Thread nipple, 100 mm Discontinued	59911753
N.I.	Raising kit, 70.5-105.5 mm	59911653