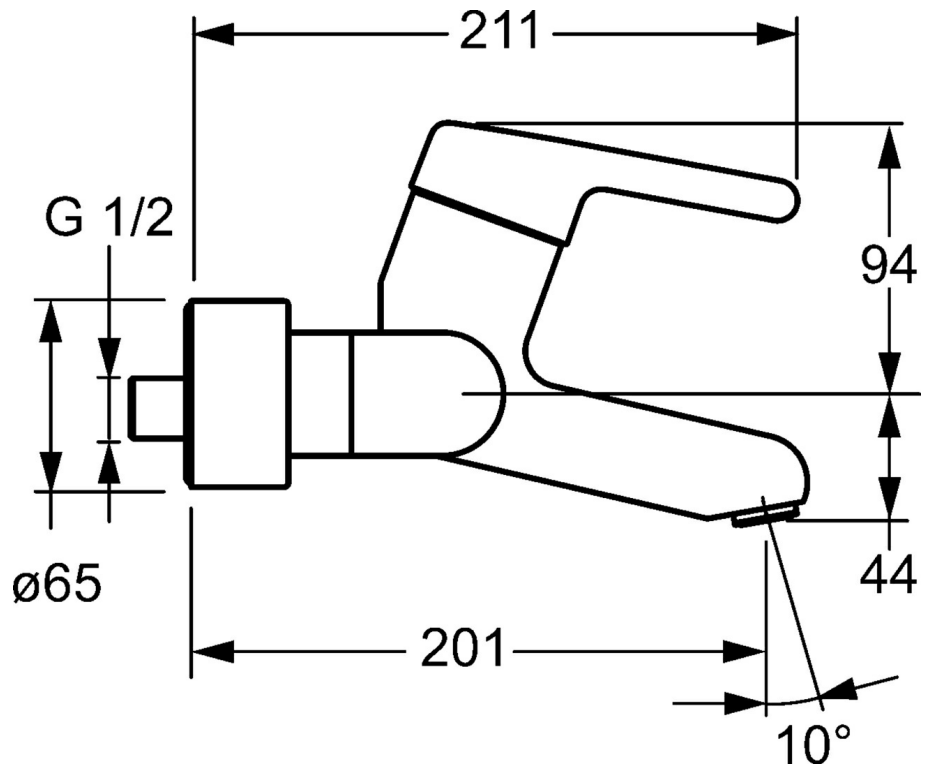
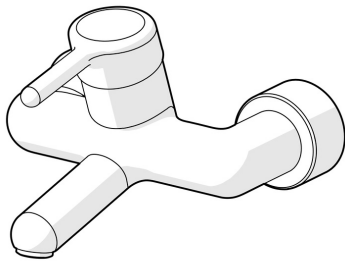


EAN: 4015474267367
static.hansa.com/02622103



- Health & Care
- Single-lever
- Wall mounted
- Chrome
- Fixed spout
- Laminar stream
- Hot/Cold symbols, Single operating lever/handle
- Eccentric coupling(s), Cover plate(s), Cover plate triple sealed
- Inner body made of DZR brass, Surfaces in contact with drinking water contain less than 0.3% lead, Waterways without nickel coating



Technical data

Technical properties

Hot water supply	max. +80°C
Working pressure	0.5-10 bar
Installation width	cc150 ± 10 mm
Length / Height	201 mm
Material	Brass

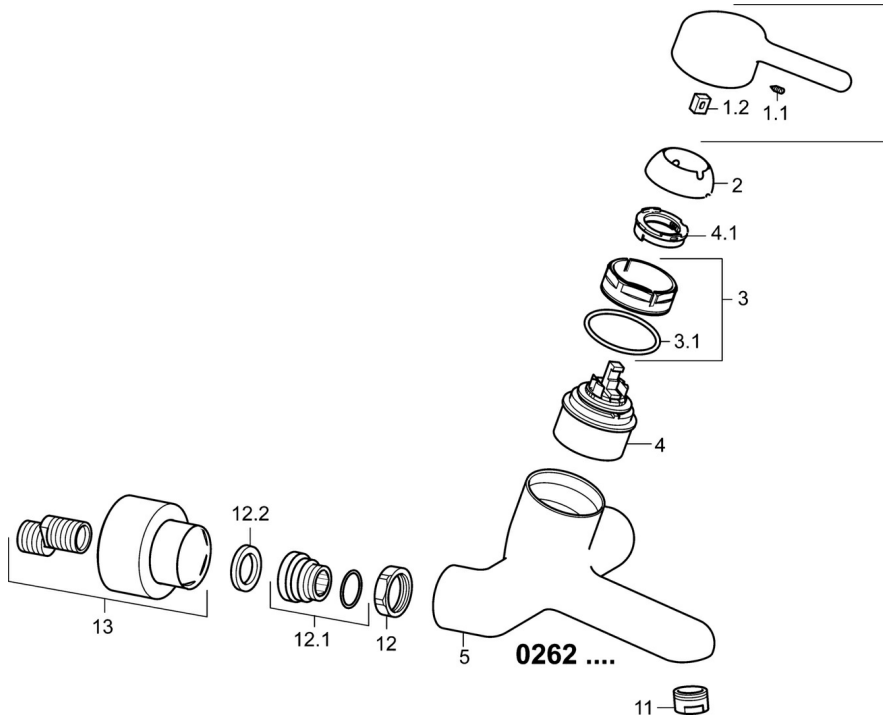
Regulations

EN standard	EN 817
Noise class	I (ISO 3822)

Approvals and Declarations

DVGW	NW-6506CR0028
ABP	PA-IX 28489/IB

Spare parts



SP02622103

	Name	Code
1	Lever, L=93 mm	59914072
1.1	Screw, M5x8, SW2.5	59904755
1.2	Bushing	59904778
2	Covering cap	59914069
3	Tightening nut, M50x1, SW45	59914070
3.1	O-ring, d 46x2	59912470
4	Cartridge, 4.8 Classic	59911437
4.1	Hot water limiter	59904759
11	Aerator, M24x1 STD PL HC A Laminar (2013-)	59914054
12	Connection nut, G3/4, AF30	59902230
12.1	Connector	59913400
12.2	Retaining ring, 23.9x15.2x2	59902689
13	Cover flange pair Discontinued	02720000
N.I.	Key, SW45/SW50	59905190