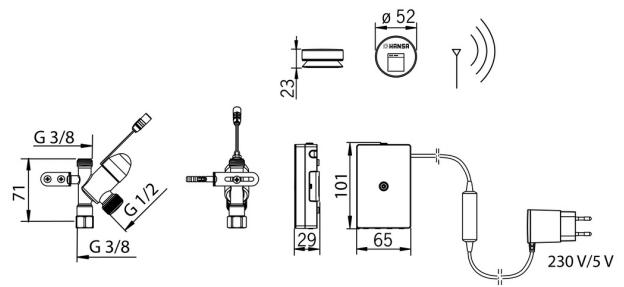
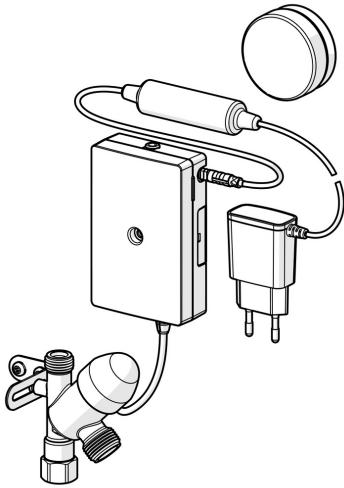


EAN: 4015474277496  
[static.hansa.com/02590110](http://static.hansa.com/02590110)



- Kitchen
- Accessories
- Plug transformer
- Chrome
- Remote controlled stop valve for external equipment
- External control unit



## Technical data

### Flow properties

Flow-rate at 3 bar **16.8 l/min**

### Technical properties

DN-size (nominal dimension) **DN15**  
 Hot water supply **max. +70°C**  
 Working pressure **0.5-10 bar**

### Software settings

Dishwasher valve open period **4 h / 12 h**

### Electronic properties

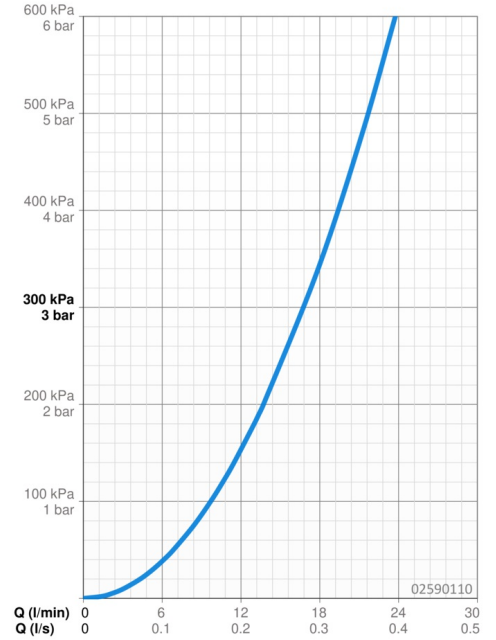
Electrical Connection **230 / 5 V**  
 Battery **CR 2450 3 V**

### Regulations

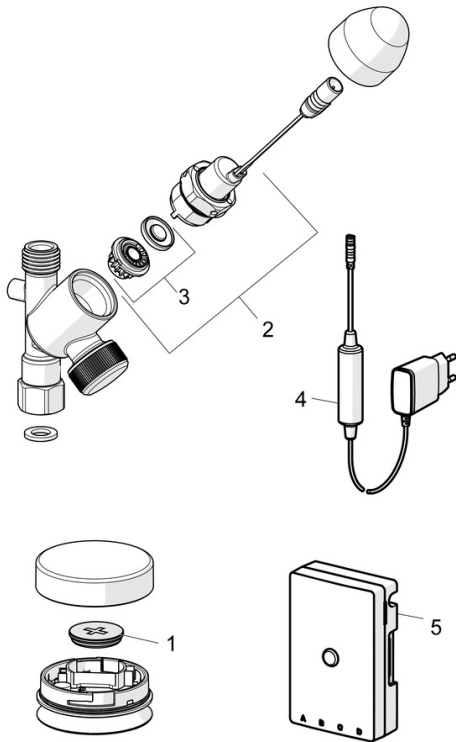
EU Directives **CE Low Voltage Directive 2014/35/EU , EMC Directive 2014/30/EU , RoHS Directive 2011/65/EU**  
 EN standard **ETSI EN 301 489-1 V1.9.2 , ETSI EN 300 328 v2.2.2 , EN 61000-6-1:2007 , EN 61000-6-3:2007+A1:2011+AC:2012 , EN 60335-1:2012+A11+A13+A14+A15:2021, Part 19.11.4**  
 Protection class **IP 54 / transformer IP 40**

### Approvals and Declarations

Declaration of conformity **LVD**



## Spare parts



### SP02590110

	Name	Code
01	Battery, CR2450 3 V Lithium	59914137
02	Pilot valve, 3 V	59914338
03	Membrane for solenoid valve	1006500V
03	Membrane Discontinued	59914126
04	Power supply, 5 V Discontinued	59914138
05	Control unit, 230/5 V Discontinued	59914542