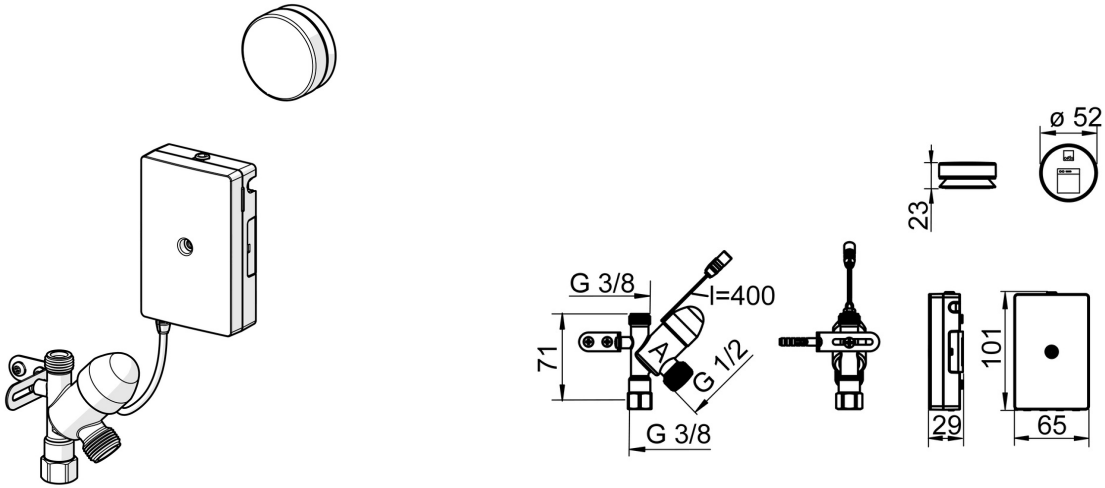


EAN: 4015474277472
static.hansa.com/02590100



- Kitchen
- Accessories
- Battery-operated
- Chrome
- Remote controlled stop valve for external equipment
- External control unit



Technical data

Flow properties

Flow-rate at 3 bar **16.8 l/min**

Technical properties

DN-size (nominal dimension) **DN15**
 Hot water supply **max. +70°C**
 Working pressure **1-10 bar**

Software settings

Dishwasher valve open period **4 h / 12 h**

Electronic properties

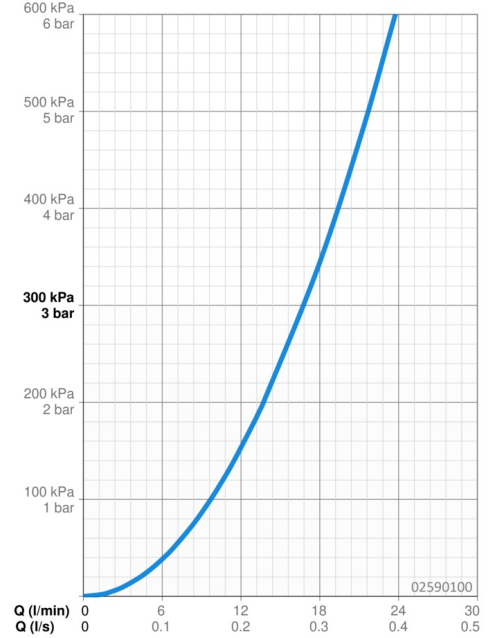
Battery **AA 1.5 V Lithium x 2, CR 2450 3 V**

Regulations

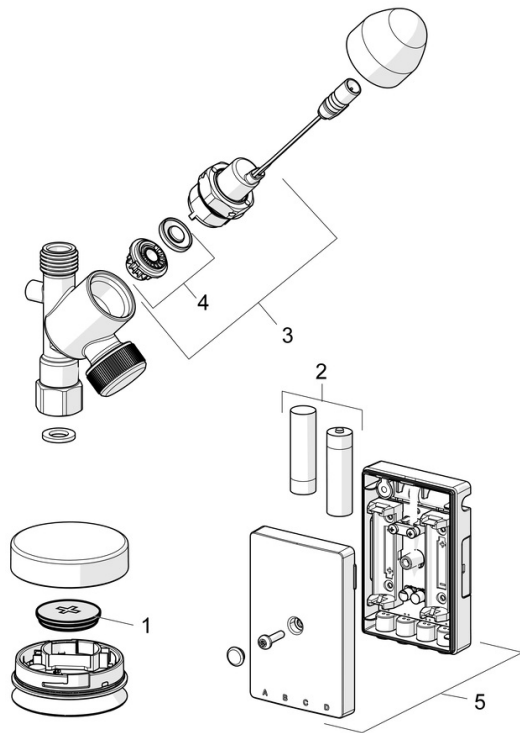
EU Directives **C € EMC Directive 2014/30/EU, RoHS Directive 2011/65/EU**
 EN standard **ETSI EN 301 489-1 V1.9.2, ETSI EN 300 328 v2.2.2, EN 61000-6-1:2007, EN 61000-6-3:2007+A1:2011+AC:2012, EN 60335-1:2012+A11+A13+A14+A14+A2+A15:2021, Part 19.11.4**
 Protection class **IP 54**

Approvals and Declarations

Declaration of conformity **EMC**



Spare parts



SP02590100

	Name	Code
01	Battery, CR2450 3 V Lithium	59914137
02	Battery, 1.5 V AA Lithium	59914136
03	Pilot valve, 3 V	59914338
04	Membrane for solenoid valve	1006500V
04	Membrane Discontinued	59914126
05	Control unit, 3 V Discontinued	59914518