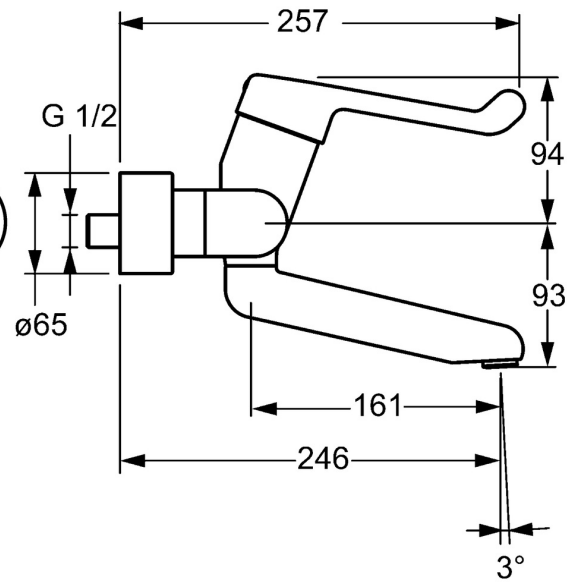
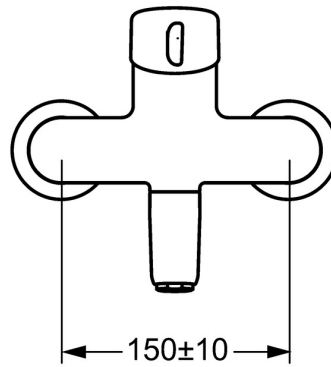
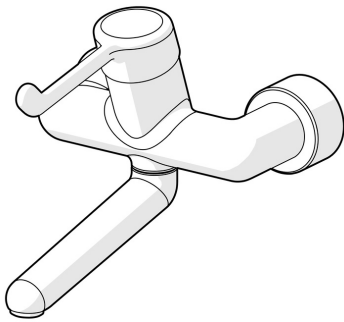


EAN: 4015474267251
static.hansa.com/02562202



- Health & Care
- Single-lever
- Wall mounted
- Chrome
- Swivel spout, Lockable in the middle position
- Laminar stream
- Safety feature for water temperature, Hot/Cold symbols, Single operating lever/handle
- \varnothing 35 mm ceramic cartridge for flow and temperature control
- Eccentric coupling(s), Cover plate(s), with integrated shut-off valve(s), Cover plate triple sealed
- Inner body made of DZR brass, Surfaces in contact with drinking water contain less than 0.3% lead, Waterways without nickel coating
- Safety control cartridge with operation on one level



Technical data

Flow properties

Flow-rate at 3 bar (with flow controller) **6.0 l/min**

Technical properties

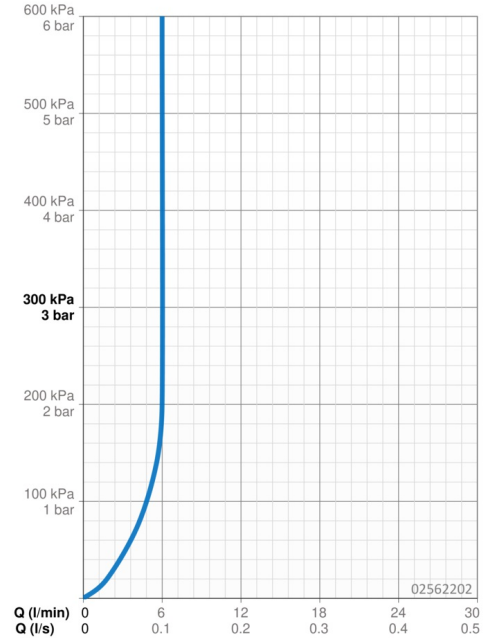
DN-size (nominal dimension) **DN15**
 Hot water supply **max. +80°C**
 Working pressure **0.5-10 bar**
 Installation width **150 ± 10 mm**
 Projection **246 mm**
 Backflow prevention (EN1717) **AA**
 Material **Brass**

Regulations

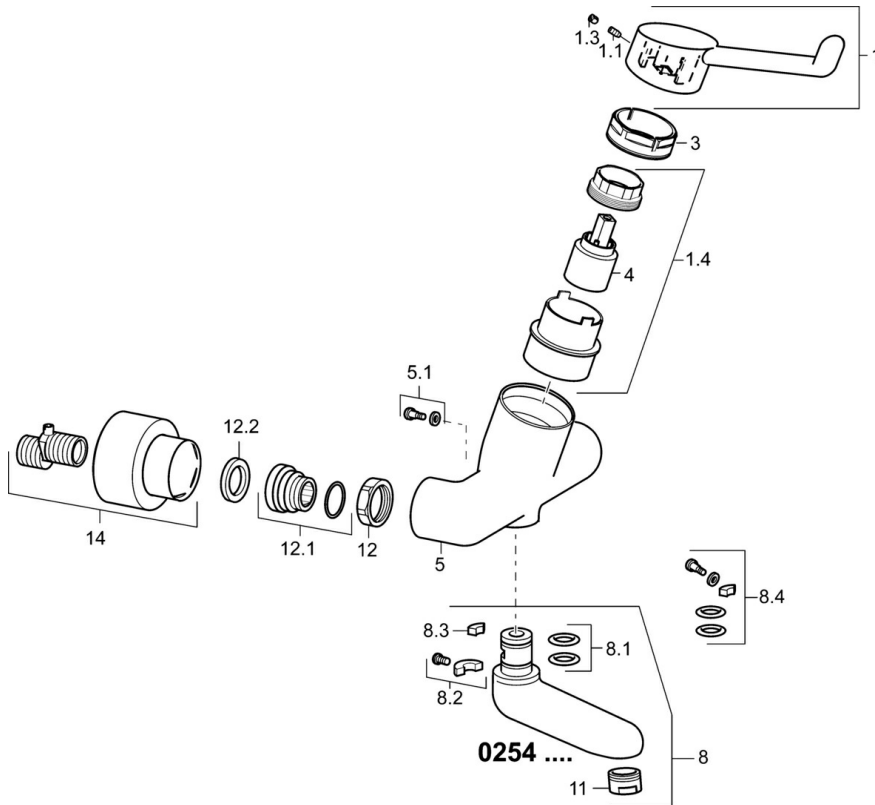
EN standard **EN 817**
 Noise class **I (ISO 3822)**

Approvals and Declarations

DVGW **NW-6506CR0028**
 ABP **PA-IX 29894/IO**
 Declaration of conformity **DoC**



Spare parts



SP02542202

	Name	Code
1	Long lever, L=142 Discontinued	02460002
1.1	Screw, M5x8, SW2.5	59904755
1.3	Cover plug	59913762
1.4	Diverter housing Discontinued	02710000
3	Tightening nut, M50x1, SW45	59914070
4	Cartridge	59913949
5.1	Fixing screw, M6x12, AF2.5	59904804
8	Spout, L=226	02702000
8	Spout, L=161	02692000
8	Spout, L=86	02682000
8.1	O-ring, d 15x2.5	59910423
8.2	Limiter	59910421
8.2	Screw, M6x10, 2.5	59911435
8.3	Limiter	59910422
8.4	Maintenance set	59912230
11	Aerator, M24x1 STD HC, 6 l/min Laminar	59914068
12	Connection nut, G3/4, AF30	59902230
12.1	Connector	59913400
12.2	Retaining ring, 23.9x15.2x2	59902689
14	Cover flange pair	02720200
N.I.	Emptying valve	59912483
N.I.	Key, SW45/SW50	59905190