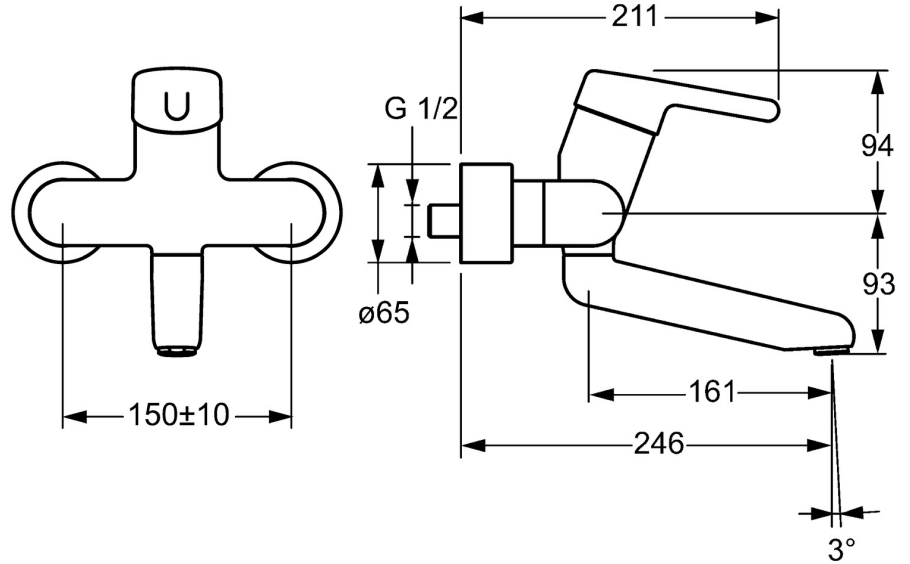
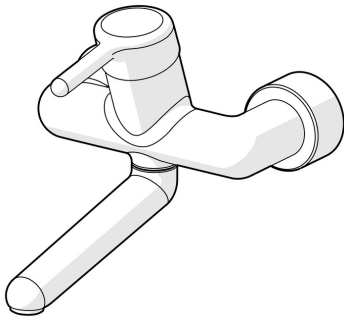


EAN: 4015474267220  
[static.hansa.com/02552203](http://static.hansa.com/02552203)



- Health & Care
- Single-lever
- Wall mounted
- Chrome
- Swivel spout, Lockable in the middle position
- Laminar stream
- Hot/Cold symbols, Single operating lever/handle
- Limitation option for maximum temperature and flow-rate, Adjustable hot water stop (included, retrofittable)
- $\phi$  48 mm ceramic cartridge for flow and temperature control
- Eccentric coupling(s), Cover plate(s), with integrated shut-off valve(s), Cover plate triple sealed
- Inner body made of DZR brass, Surfaces in contact with drinking water contain less than 0.3% lead, Waterways without nickel coating



## Technical data

### Flow properties

Flow-rate at 3 bar **12.0 l/min**

### Technical properties

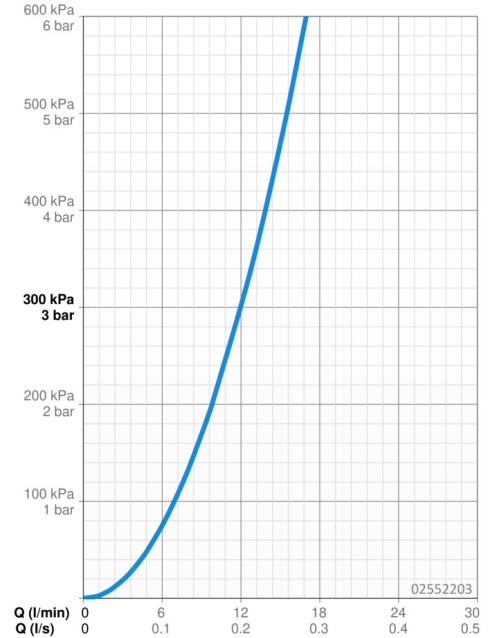
DN-size (nominal dimension) **DN15**  
 Hot water supply **max. +80°C**  
 Working pressure **0.5-10 bar**  
 Installation width **150 ± 10 mm**  
 Projection **246 mm**  
 Backflow prevention (EN1717) **AA**  
 Material **Brass**

### Regulations

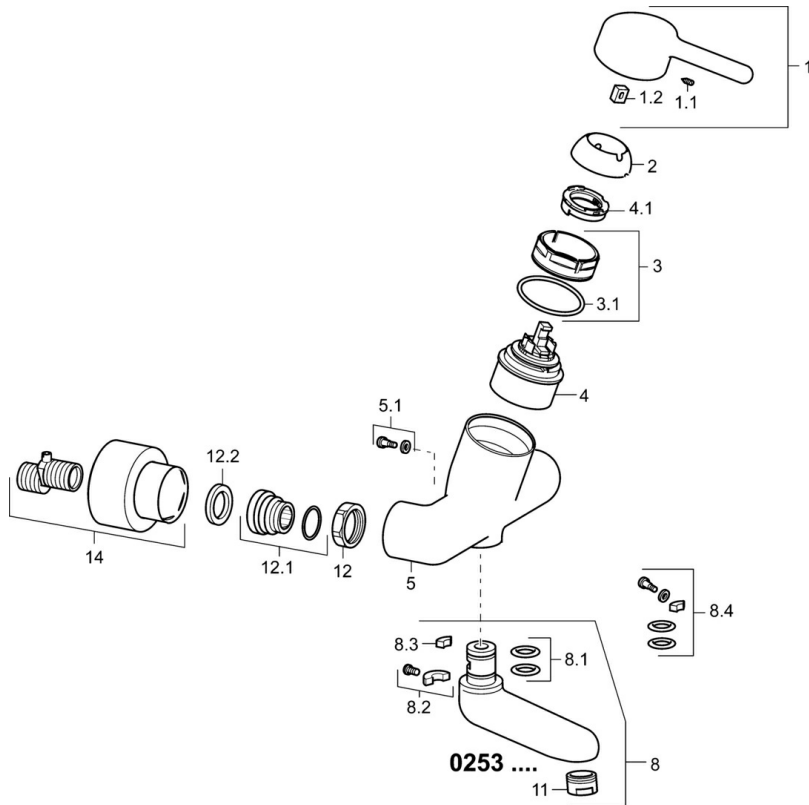
EN standard **EN 817**  
 Noise class **I (ISO 3822)**

### Approvals and Declarations

DVGW **NW-6506CR0028**  
 ABP **PA-IX 29893/IA**  
 Declaration of conformity **DoC**



## Spare parts



### SP02532203

	Name	Code
1	Lever, L=93 mm	59914072
1.1	Screw, M5x8, SW2.5	59904755
1.2	Bushing	59904778
2	Covering cap	59914069
3	Tightening nut, M50x1, SW45	59914070
3.1	O-ring, d 46x2	59912470
4	Cartridge, 4.8 Classic	59911437
4.1	Hot water limiter	59904759
5.1	Fixing screw, M6x12, AF2.5	59904804
8	Spout, L=161	02692000
8	Spout, L=226	02702000
8	Spout, L=86	02682000
8.1	O-ring, d 15x2.5	59910423
8.2	Screw, M6x10, 2.5	59911435
8.2	Limiter	59910421
8.3	Limiter	59910422
8.4	Maintenance set	59912230
11	Aerator, M24x1 STD PL HC A Laminar (2013-)	59914054
12	Connection nut, G3/4, AF30	59902230
12.1	Connector	59913400
12.2	Retaining ring, 23.9x15.2x2	59902689
14	Cover flange pair	02720200
N.I.	Emptying valve	59912483
N.I.	Key, SW45/SW50	59905190