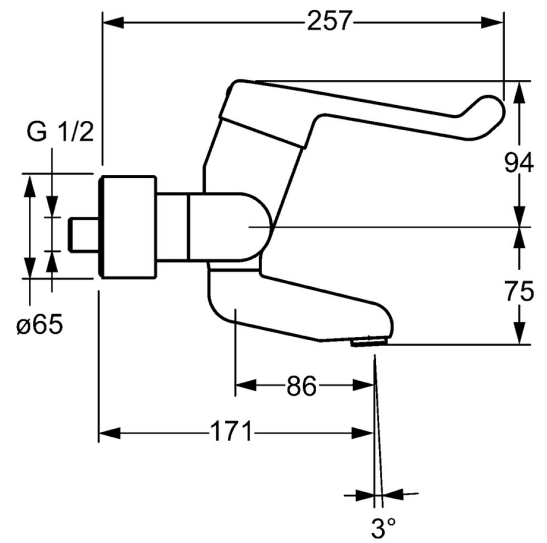
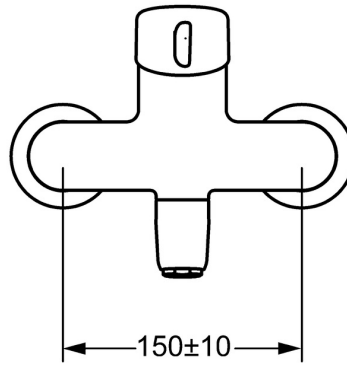
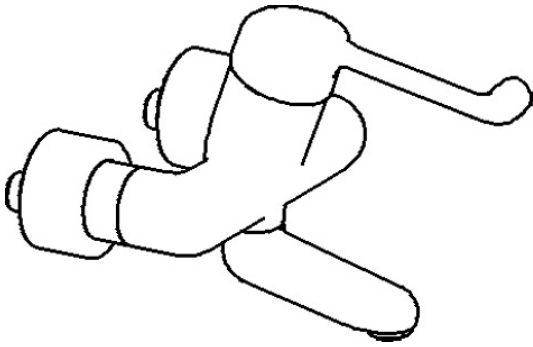


EAN: 4015474267176  
[static.hansa.com/02542202](http://static.hansa.com/02542202)



- Health & Care
- Single-lever
- Wall mounted
- Chrome
- Swivel spout, Lockable in the middle position
- Laminar stream
- Safety feature for water temperature, Hot/Cold symbols, Single operating lever/handle
- $\varnothing$  35 mm ceramic cartridge for flow and temperature control
- Eccentric coupling(s), Cover plate(s), with integrated shut-off valve(s), Cover plate triple sealed
- Inner body made of DZR brass, Surfaces in contact with drinking water contain less than 0.3% lead, Waterways without nickel coating
- Safety control cartridge with operation on one level



## Technical data

### Flow properties

Flow-rate at 3 bar (with flow controller) **6.0 l/min**

### Technical properties

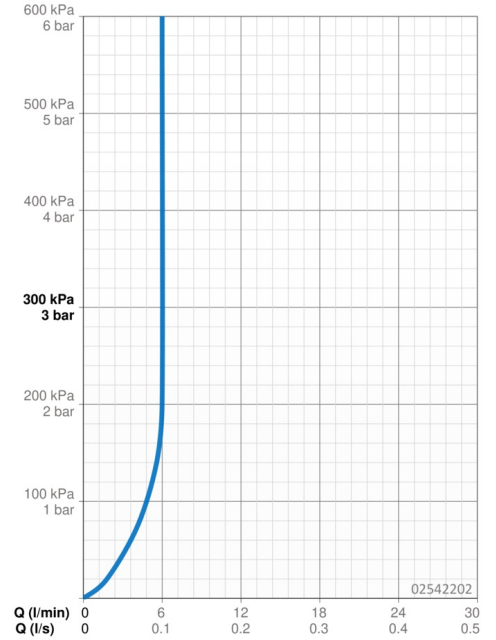
DN-size (nominal dimension) **DN15**  
 Hot water supply **max. +80°C**  
 Working pressure **0.5-10 bar**  
 Installation width **150 ± 10 mm**  
 Projection **171 mm**  
 Backflow prevention (EN1717) **AA**  
 Material **Brass**

### Regulations

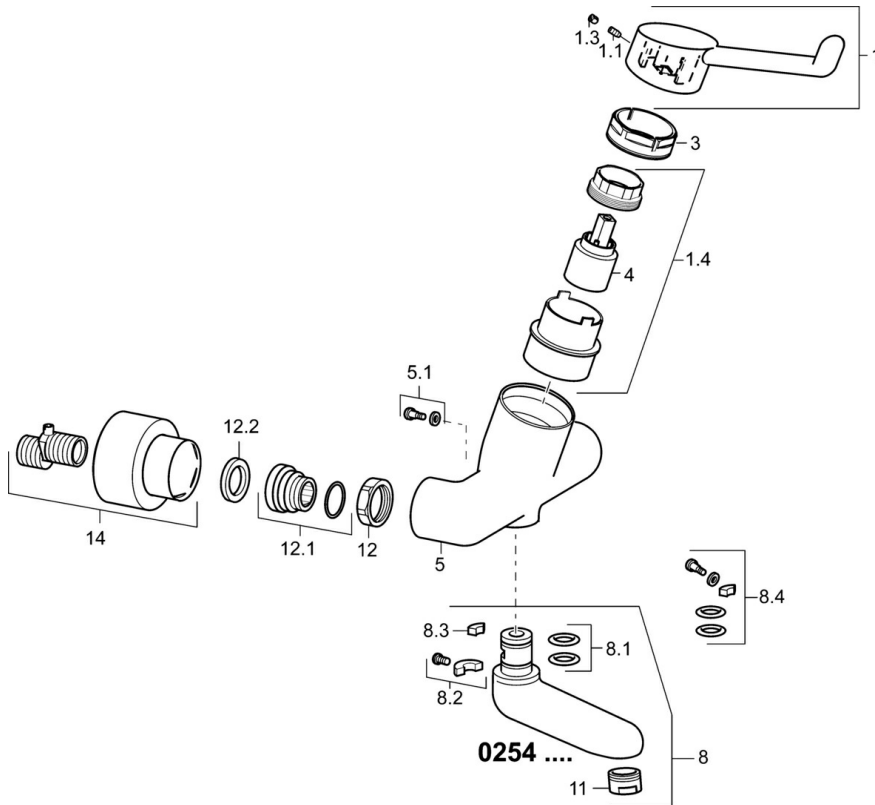
EN standard **EN 817**  
 Noise class **I (ISO 3822)**

### Approvals and Declarations

DVGW **NW-6506CR0028**  
 ABP **PA-IX 29894/IO**  
 Declaration of conformity **DoC**



## Spare parts



### SP02542202

|      | Name                                   | Code     |
|------|--|----------|
| 1    | Long lever, L=142 Discontinued         | 02460002 |
| 1.1  | Screw, M5x8, SW2.5                     | 59904755 |
| 1.3  | Cover plug                             | 59913762 |
| 1.4  | Diverter housing Discontinued          | 02710000 |
| 3    | Tightening nut, M50x1, SW45            | 59914070 |
| 4    | Cartridge                              | 59913949 |
| 5.1  | Fixing screw, M6x12, AF2.5             | 59904804 |
| 8    | Spout, L=226                           | 02702000 |
| 8    | Spout, L=161                           | 02692000 |
| 8    | Spout, L=86                            | 02682000 |
| 8.1  | O-ring, d 15x2.5                       | 59910423 |
| 8.2  | Limiter                                | 59910421 |
| 8.2  | Screw, M6x10, 2.5                      | 59911435 |
| 8.3  | Limiter                                | 59910422 |
| 8.4  | Maintenance set                        | 59912230 |
| 11   | Aerator, M24x1 STD HC, 6 l/min Laminar | 59914068 |
| 12   | Connection nut, G3/4, AF30             | 59902230 |
| 12.1 | Connector                              | 59913400 |
| 12.2 | Retaining ring, 23.9x15.2x2            | 59902689 |
| 14   | Cover flange pair                      | 02720200 |
| N.I. | Emptying valve                         | 59912483 |
| N.I. | Key, SW45/SW50                         | 59905190 |